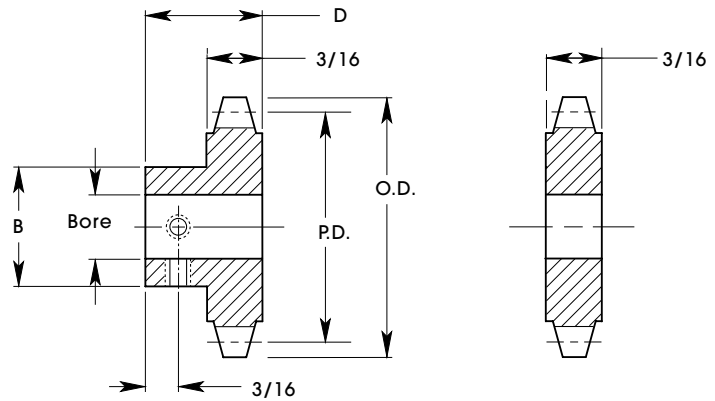
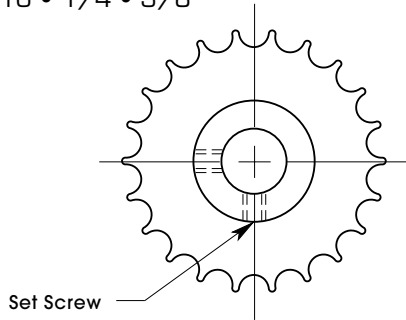


SPROCKETS

32 Pitch (.0982 Cir. Pitch)

Hub & Hubless Style

Bore 1/8 • 3/16 • 1/4 • 3/8



NO. OF TEETH	PITCH DIAMETER	OUTSIDE DIAMETER	CATALOG NUMBER / BORE $\pm .0005$ / $-.0000$			HUBLESS
			.1248	.1873	.2498	.3748
12	.3750	.437	SE33GG14-12	SE33GG21-12	SE33GG28-12	SE33GG5-12
13	.4062	.468	SE33GG14-13	SE33GG21-13	SE33GG28-13	SE33GG5-13
14	.4375	.500	SE33GG14-14	SE33GG21-14	SE33GG28-14	SE33GG5-14
15	.4687	.531	SE33GG14-15	SE33GG21-15	SE33GG28-15	SE33GG5-15
16	.5000	.562	SE33GG14-16	SE33GG21-16	SE33GG28-16	SE33GG5-16
18	.5625	.625	SE33GG14-18	SE33GG21-18	SE33GG28-18	SE33GG5-18
20	.6250	.687	SE33GG14-20	SE33GG21-20	SE33GG28-20	SE33GG5-20
22	.6875	.750	SE33GG14-22	SE33GG21-22	SE33GG28-22	SE33GG5-22
24	.7500	.812	SE33GG14-24	SE33GG21-24	SE33GG28-24	SE33GG5-24
26	.8125	.875	SE33GG14-26	SE33GG21-26	SE33GG28-26	SE33GG5-26
28	.8750	.937	SE33GG14-28	SE33GG21-28	SE33GG28-28	SE33GG5-28
30	.9375	1.000	SE33GG14-30	SE33GG21-30	SE33GG28-30	SE33GG5-30
32	1.0000	1.062	SE33GG14-32	SE33GG21-32	SE33GG28-32	SE33GG5-32
36	1.1250	1.187	SE33GG14-36	SE33GG21-36	SE33GG28-36	SE33GG5-36
40	1.2500	1.312	SE33GG14-40	SE33GG21-40	SE33GG28-40	SE33GG5-40
48	1.5000	1.562	SE33GG14-48	SE33GG21-48	SE33GG28-48	SE33GG5-48
56	1.7500	1.812	SE33GG14-56	SE33GG21-56	SE33GG28-56	SE33GG5-56
64	2.0000	2.062	SE33GG14-64	SE33GG21-64	SE33GG28-64	SE33GG5-64
72	2.2500	2.312	SE33GG14-72	SE33GG21-72	SE33GG28-72	SE33GG5-72
80	2.5000	2.562	SE33GG14-80	SE33GG21-80	SE33GG28-80	SE33GG5-80
88	2.7500	2.812	SE33GG14-88	SE33GG21-88	SE33GG28-88	SE33GG5-80
96	3.0000	3.062	SE33GG14-96	SE33GG21-96	SE33GG28-96	SE33GG5-96
100	3.1250	3.187	SE33GG14-100	SE33GG21-100	SE33GG28-100	SE33GG5-100
112	3.5000	3.562	SE33GG14-112	SE33GG21-112	SE33GG28-112	SE33GG5-112
120	3.7500	3.812	SE33GG14-120	SE33GG21-120	SE33GG28-120	SE33GG5-120
128	4.0000	4.062	SE33GG14-128	SE33GG21-128	SE33GG28-128	SE33GG5-128

A	B	C	D	SET SCREW
.1248	5/16	.090	3/8	2-56
.1873	3/8	.110	13/32	4-40
.2498	1/2	.120	7/16	6-32

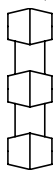
AVAILABLE IN:
ALUMINUM 2024
CHROMIC ACID ANODIZED
&
STAINLESS STEEL

SPROCKETS .500 PD. and
SMALLER ARE FOR IDLER USE
ONLY

ALSO AVAILABLE IN CLAMP STYLE

ADD S or A to PART NUMBER
FOR STEEL or ALUMINUM

DRIVE CHAIN

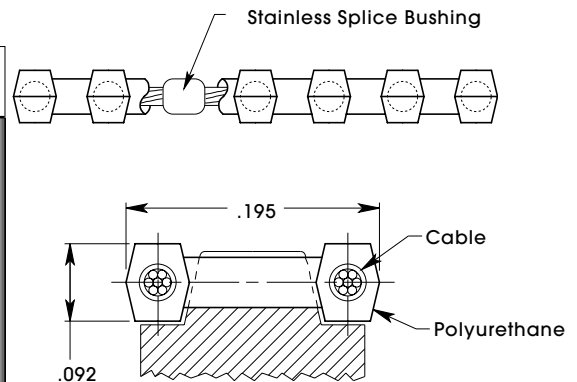


NO. OF PITCHES	LENGTH	CATALOG NUMBER
49	4.810	SEFCG32-49
52	5.105	SEFCG32-52
53	5.203	SEFCG32-53
64	6.283	SEFCG32-64
67	6.577	SEFCG32-67
75	7.363	SEFCG32-75
80	7.854	SEFCG32-80
95	9.326	SEFCG32-95
112	10.955	SEFCG32-112
126	12.370	SEFCG32-126
128	12.566	SEFCG32-128
144	14.137	SEFCG32-144
158	15.511	SEFCG32-158
176	17.278	SEFCG32-176
189	18.555	SEFCG32-189
208	20.420	SEFCG32-208
220	21.598	SEFCG32-220
240	23.562	SEFCG32-240
252	24.740	SEFCG32-252
272	26.703	SEFCG32-272
283	27.783	SEFCG32-283
304	29.845	SEFCG32-304

NO. OF PITCHES	LENGTH	CATALOG NUMBER
315	30.925	SEFCG32-315
336	32.986	SEFCG32-336
346	33.968	SEFCG32-346
377	37.012	SEFCG32-377
400	39.270	SEFCG32-400
408	49.055	SEFCG32-408
432	42.411	SEFCG32-432
440	43.197	SEFCG32-440
464	45.553	SEFCG32-464
471	46.240	SEFCG32-471
480	47.124	SEFCG32-480
512	50.265	SEFCG32-512
544	53.407	SEFCG32-544
592	58.119	SEFCG32-592
608	59.690	SEFCG32-608

NOT SPLICED

5 FT LENGTH	SEFCG32-5FT
10 FT LENGTH	SEFCG32-10FT
25 FT LENGTH	SEFCG32-25FT
50 FT LENGTH	SEFCG32-50FT
100 FT LENGTH	SEFCG32-100FT



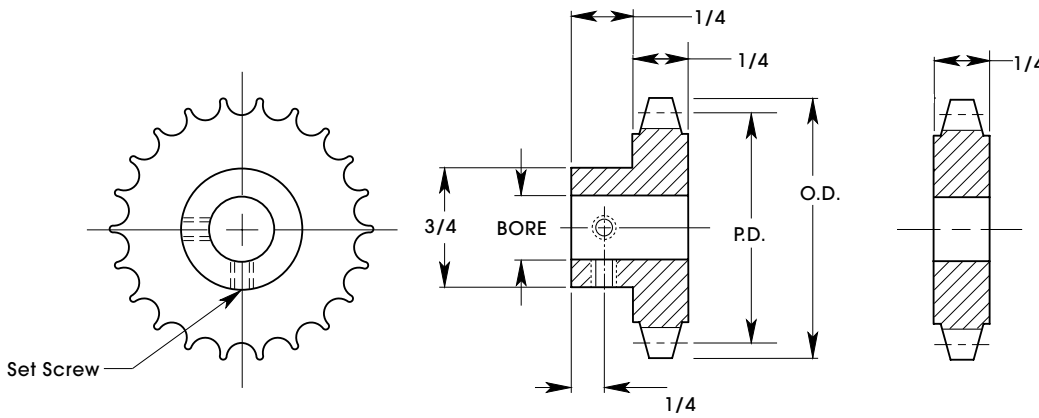
- Weight .13 oz/ft
- .018 Dia. St. Steel Cable
- Polyurethane (Blue)
- Hardness - 90A Duro.
- Tensile Strength 30lbs (4 lbs./Pin)
- Temp. Range +180°F to -65F
- 1800 RPM Max

SPROCKETS

24 Pitch (.1309 Cir. Pitch)

Hub & Hubless Style

Bore 1/4 • 3/8 • 1/2



NO. OF TEETH	PITCH DIAMETER	OUTSIDE DIAMETER	CATALOG NUMBER / BORE			HUBLESS
			.250	.375	.500	
12	.4994	.582	SE424B-12	SE426B-12	SE428B-12	SE426-12
14	.5827	.665	SE424B-14	SE426B-14	SE428B-14	SE426-14
15	.6243	.707	SE424B-15	SE426B-15	SE428B-15	SE426-15
16	.6659	.749	SE424B-16	SE426B-16	SE428B-16	SE426-16
18	.7492	.832	SE424B-18	SE426B-18	SE428B-18	SE426-18
20	.8324	.915	SE424B-20	SE426B-20	SE428B-20	SE426-20
21	.8740	.957	SE424B-21	SE426B-21	SE428B-21	SE426-21
24	.9989	1.082	SE424B-24	SE426B-24	SE428B-24	SE426-24
30	1.2486	1.331	SE424B-30	SE426B-30	SE428B-30	SE426-30
36	1.4983	1.581	SE424B-36	SE426B-36	SE428B-36	SE426-36
42	1.7480	1.831	SE424B-42	SE426B-42	SE428B-42	SE426-42
48	1.9978	2.081	SE424B-48	SE426B-48	SE428B-48	SE426-48
60	2.4972	2.580	SE424B-60	SE426B-60	SE428B-60	SE426-60
72	2.9966	3.079	SE424B-72	SE426B-72	SE428B-72	SE426-72
96	3.9955	4.078	SE424B-96	SE426B-96	SE428B-96	SE426-96
120	4.9944	5.077	SE424B-120	SE426B-120	SE428B-120	SE426-120
144	5.9933	6.076	SE424B-144	SE426B-144	SE428B-144	SE426-144

MATERIAL :
ALUMINUM 2024
CHROMIC ACID ANODIZED
"RED"

SPROCKETS .750 P.D. and
SMALLER ARE FOR IDLER USE
ONLY

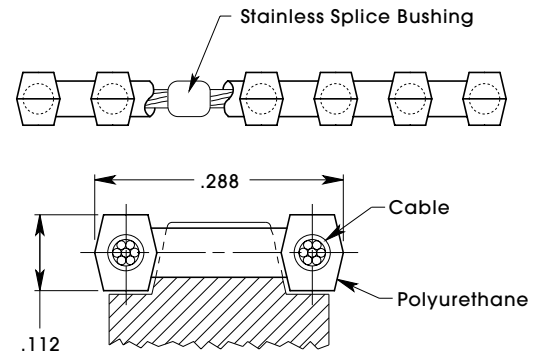
DRIVE CHAIN

NO. OF PITCHES	LENGTH	CATALOG NUMBER
50	6.545	SEFCG24-50
52	6.806	SEFCG24-52
54	7.068	SEFCG24-54
56	7.330	SEFCG24-56
58	7.592	SEFCG24-58
60	7.854	SEFCG24-60
62	8.115	SEFCG24-62
64	8.377	SEFCG24-64
66	8.639	SEFCG24-66
68	8.901	SEFCG24-68
70	9.163	SEFCG24-70
75	9.817	SEFCG24-75
80	10.472	SEFCG24-80
85	11.126	SEFCG24-85
90	11.781	SEFCG24-90
95	12.435	SEFCG24-95
100	13.090	SEFCG24-100
105	13.744	SEFCG24-105
110	14.399	SEFCG24-110
115	15.053	SEFCG24-115
120	15.708	SEFCG24-120
130	17.017	SEFCG24-130

NO. OF PITCHES	LENGTH	CATALOG NUMBER
140	18.326	SEFCG24-140
150	19.635	SEFCG24-150
160	20.944	SEFCG24-160
170	22.253	SEFCG24-170
180	23.562	SEFCG24-180
190	24.871	SEFCG24-190
200	26.180	SEFCG24-200
220	28.798	SEFCG24-220
240	31.416	SEFCG24-240
260	34.034	SEFCG24-260
280	36.652	SEFCG24-280
300	39.270	SEFCG24-300
320	41.888	SEFCG24-320
380	49.742	SEFCG24-380
420	54.978	SEFCG24-420

NOT SPLICED

5 FT LENGTH	SEFCG24-5FT
10 FT LENGTH	SEFCG24-10FT
25 FT LENGTH	SEFCG24-25FT
50 FT LENGTH	SEFCG24-50FT
100 FT LENGTH	SEFCG24-100FT



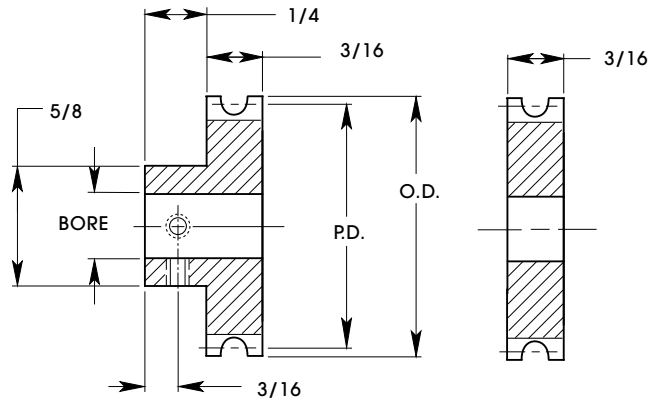
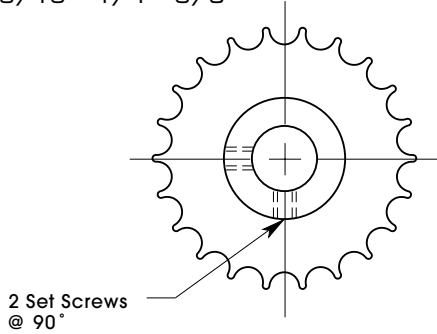
- Weight .14 oz/ft
- 1/32" Dia. St. Steel Cable
- Polyurethane (Red)
- Hardness - 90A Duro.
- Tensile Strength 100lbs (10 lbs./Pin)
- Temp. Range +180° F to -65F
- 1800 RPM Max

PULLEYS

32 Pitch (.0982 Cir. Pitch)

Hub & Hubless Style

Bore 1/8 • 3/16 • 1/4 • 3/8



NO. OF TEETH	PITCH DIAMETER	OUTSIDE DIAMETER	CATALOG NUMBER / BORE			HUBLESS
			.125	.187	.250	
16	.5000	.562	SE232D-16	SE233D-16	SE234D-16	-----
18	.5625	.625	SE232D-18	SE233D-18	SE234D-18	-----
20	.6250	.687	SE232D-20	SE233D-20	SE234D-20	SE236C-20
22	.6875	.750	SE232D-22	SE233D-22	SE234D-22	SE236C-22
24	.7500	.812	SE232D-24	SE233D-24	SE234D-24	SE236C-24
26	.8125	.875	SE232D-26	SE233D-26	SE234D-26	SE236C-26
28	.8750	.937	SE232D-28	SE233D-28	SE234D-28	SE236C-28
30	.9375	1.000	SE232D-30	SE233D-30	SE234D-30	SE236C-30
32	1.0000	1.062	SE232D-32	SE233D-32	SE234D-32	SE236C-32
36	1.1250	1.187	SE232D-36	SE233D-36	SE234D-36	SE236C-36
40	1.2500	1.312	SE232D-40	SE233D-40	SE234D-40	SE236C-40
48	1.5000	1.562	SE232D-48	SE233D-48	SE234D-48	SE236C-48
56	1.7500	1.812	SE232D-56	SE233D-56	SE234D-56	SE236C-56
64	2.0000	2.062	SE232D-64	SE233D-64	SE234D-64	SE236C-64
72	2.2500	2.312	SE232D-72	SE233D-72	SE234D-72	SE236C-72
80	2.5000	2.562	SE232D-80	SE233D-80	SE234D-80	SE236C-80
88	2.7500	2.812	SE232D-88	SE233D-88	SE234D-88	SE236C-88
96	3.0000	3.062	SE232D-96	SE233D-96	SE234D-96	SE236C-96
112	3.5000	3.562	SE232D-112	SE233D-112	SE234D-112	SE236C-112
128	4.0000	4.062	SE232D-128	SE233D-128	SE234D-128	SE236C-128

MATERIAL :
ALUMINUM 2024
CHROMIC ACID ANODIZED
"GOLD"

SPROCKETS .750 P.D. and
SMALLER ARE FOR IDLER USE
ONLY

DRIVE BELTS

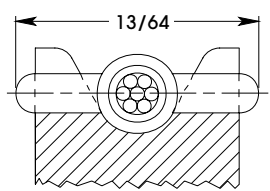
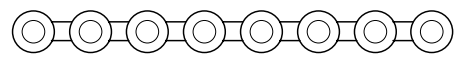


NO. OF PITCHES	LENGTH	CATALOG NUMBER
49	4.810	SEFBG32-49
52	5.105	SEFBG32-52
53	5.203	SEFBG32-53
64	6.283	SEFBG32-64
67	6.577	SEFBG32-67
75	7.363	SEFBG32-75
80	7.854	SEFBG32-80
95	9.326	SEFBG32-95
112	10.955	SEFBG32-112
126	12.370	SEFBG32-126
128	12.566	SEFBG32-128
144	14.137	SEFBG32-144
158	15.511	SEFBG32-158
176	17.278	SEFBG32-176
189	18.555	SEFBG32-189
208	20.420	SEFBG32-208
220	21.598	SEFBG32-220
240	23.562	SEFBG32-240
252	24.740	SEFBG32-252
272	26.703	SEFBG32-272
283	27.783	SEFBG32-283
304	29.845	SEFBG32-304
315	30.925	SEFBG32-315

NO. OF PITCHES	LENGTH	CATALOG NUMBER
336	32.986	SEFBG32-336
346	33.968	SEFBG32-346
377	37.012	SEFBG32-377
400	39.270	SEFBG32-400
408	49.055	SEFBG32-408
432	42.411	SEFBG32-432
440	43.197	SEFBG32-440
464	45.553	SEFBG32-464
471	46.240	SEFBG32-471
480	47.124	SEFBG32-480
496	48.694	SEFBG32-496
512	50.265	SEFBG32-512
544	53.407	SEFBG32-544
560	54.978	SEFBG32-560
576	56.548	SEFBG32-576
640	62.832	SEFBG32-640

NOT SPLICED

5 FT LENGTH	SEFBG32-5FT
10 FT LENGTH	SEFBG32-10FT
25 FT LENGTH	SEFBG32-25FT
50 FT LENGTH	SEFBG32-50FT
100 FT LENGTH	SEFBG32-100FT



- Weight .11 oz/ft
- 1/32 Dia. St. Steel Cable
- Polyurethane (Blue)
- Hardness - 90A Duro.
- Tensile Strength 50lbs (9 lbs./Pin)
- Temp. Range +180°F to -65F
- 1800 RPM Max

DRIVE BELT GEARS

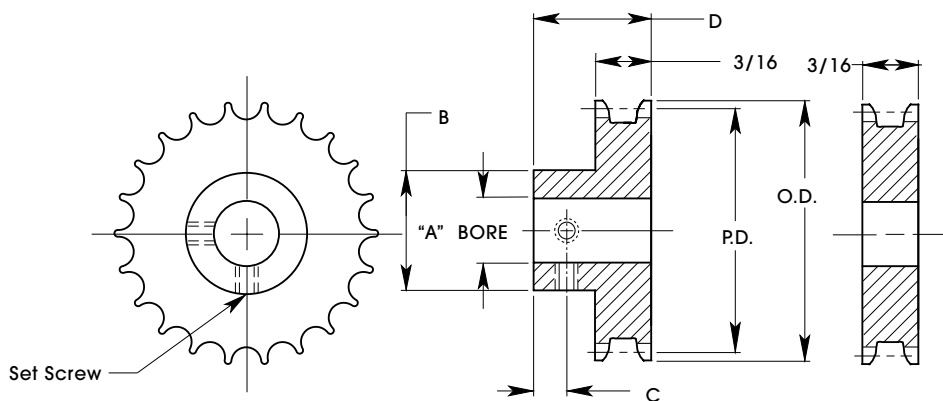
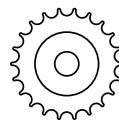
32 Pitch (.0982 Cir. Pitch)

Hub & Hubless Style

Bore 1/8 • 3/16 • 1/4 • 3/8

AVAILABLE IN:
ALUMINUM 2024
CHROMIC ACID ANODIZED
&
STAINLESS STEEL

- ADD AN "A" OR "S" TO PART NUMBER



A	B	C	D	SET SCREW
.1248	5/16	.090	3/8	2-56
.1873	3/8	.110	13/32	4-40
.2498	1/2	.120	7/16	6-32
.3123	1/2	.120	7/16	6-32

NO. OF TEETH	PITCH DIAMETER	OUTSIDE DIAMETER	CATALOG NUMBER / BORE ^{+0.005} / _{-.0000}				HUBLESSS	
			.1248	.1873	.2498	.3123	.3748 †	.6871 †
			14	.4375	.500	SE23PG14-14	-----	-----
15	.4687	.531	SE23PG14-15	SE23PG21-15	-----	-----	-----	-----
16	.5000	.562	SE23PG14-16	SE23PG21-16	-----	-----	-----	-----
18	.5625	.625	SE23PG14-18	SE23PG21-18	-----	-----	-----	-----
20	.6250	.687	SE23PG14-20	SE23PG21-20	SE23PG28-20	SE23PG32-20	-----	-----
22	.6875	.750	SE23PG14-22	SE23PG21-22	SE23PG28-22	SE23PG32-22	-----	-----
24	.7500	.812	SE23PG14-24	SE23PG21-24	SE23PG28-24	SE23PG32-24	SE23FG5-24	SE23FG19-24
25	.7812	.843	SE23PG14-25	SE23PG21-25	SE23PG28-25	SE23PG32-25	SE23FG5-25	SE23FG19-25
26	.8125	.875	SE23PG14-26	SE23PG21-26	SE23PG28-26	SE23PG32-26	SE23FG5-26	SE23FG19-26
27	.8437	.906	SE23PG14-27	SE23PG21-27	SE23PG28-27	SE23PG32-27	SE23FG5-27	SE23FG19-27
28	.8750	.937	SE23PG14-28	SE23PG21-28	SE23PG28-28	SE23PG32-28	SE23FG5-28	SE23FG19-28
29	.9062	.968	SE23PG14-29	SE23PG21-29	SE23PG28-29	SE23PG32-29	SE23FG5-29	SE23FG19-29
30	.9375	1.000	SE23PG14-30	SE23PG21-30	SE23PG28-30	SE23PG32-30	SE23FG5-30	SE23FG19-30
32	1.0000	1.062	SE23PG14-32	SE23PG21-32	SE23PG28-32	SE23PG32-32	SE23FG5-32	SE23FG19-32
36	1.1250	1.187	SE23PG14-36	SE23PG21-36	SE23PG28-36	SE23PG32-36	SE23FG5-36	SE23FG19-36
40	1.2500	1.312	SE23PG14-40	SE23PG21-40	SE23PG28-40	SE23PG32-40	SE23FG5-40	SE23FG19-40
48	1.5000	1.562	SE23PG14-48	SE23PG21-48	SE23PG28-48	SE23PG32-48	SE23PG5-48	SE23FG19-48
50	1.5625	1.625	SE23PG14-50	SE23PG21-50	SE23PG28-50	SE23PG32-50	SE23FG5-50	SE23FG19-50
* 56	1.7500	1.812	SE23PG14-56	SE23PG21-56	SE23PG28-56	SE23PG32-56	SE23FG5-56	SE23FG19-56
* 64	2.0000	2.062	SE23PG14-64	SE23PG21-64	SE23PG28-64	SE23PG32-64	SE23FG5-64	SE23FG19-64
* 72	2.2500	2.312	SE23PG14-72	SE23PG21-72	SE23PG28-72	SE23PG32-72	SE23FG5-72	SE23FG19-72
* 80	2.5000	2.562	SE23PG14-80	SE23PG21-80	SE23PG28-80	SE23PG32-80	SE23FG5-80	SE23FG19-80
* 88	2.7500	2.812	SE23PG14-88	SE23PG21-88	SE23PG28-88	SE23PG32-88	SE23FG5-88	SE23FG19-88
* 92	2.8750	2.937	SE23PG14-92	SE23PG21-92	SE23PG28-92	SE23PG32-92	SE23FG5-92	SE23FG19-92
* 96	3.0000	3.062	SE23PG14-96	SE23PG21-96	SE23PG28-96	SE23PG32-96	SE23FG5-96	SE23FG19-96
* 100	3.1250	3.187	SE23PG14-100	SE23PG21-100	SE23PG28-100	SE23PG32-100	SE23PG5-100	SE23FG19-100
* 112	3.5000	3.562	SE23PG14-112	SE23PG21-112	SE23PG28-112	SE23PG32-112	SE23PG5-112	SE23FG19-112
* 120	3.7500	3.812	SE23PG14-120	SE23PG21-120	SE23PG28-120	SE23PG32-120	SE23FG5-120	SE23FG19-120
* 128	4.0000	4.062	SE23PG14-128	SE23PG21-128	SE23PG28-128	SE23PG32-128	SE23FG5-128	SE23FG19-128

* TWO PIECE CONSTRUCTION WITH STAINLESS HUB

† HUBLESS STYLE NOT AVAILABLE IN STAINLESS STEEL

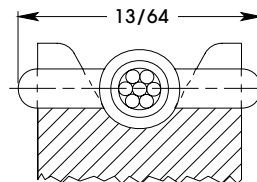
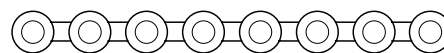
SPROCKETS .750 PD. and SMALLER ARE FOR IDLER USE ONLY

DRIVE BELTS

NO. OF PITCHES	LENGTH	CATALOG NUMBER
49	4.810	SE23FBG-49
52	5.105	SE23FBG-52
53	5.203	SE23FBG-53
64	6.283	SE23FBG-64
67	6.577	SE23FBG-67
75	7.363	SE23FBG-75
80	7.854	SE23FBG-80
95	9.326	SE23FBG-95
112	10.955	SE23FBG-112
126	12.370	SE23FBG-126
128	12.566	SE23FBG-128
144	14.137	SE23FBG-144
158	15.511	SE23FBG-158
176	17.278	SE23FBG-176
189	18.555	SE23FBG-189
208	20.420	SE23FBG-208
220	21.598	SE23FBG-220
240	23.562	SE23FBG-240
252	24.740	SE23FBG-252
272	26.703	SE23FBG-272
283	27.783	SE23FBG-283
304	29.845	SE23FBG-304
315	30.925	SE23FBG-315

NO. OF PITCHES	LENGTH	CATALOG NUMBER
336	32.986	SE23FBG-336
346	33.968	SE23FBG-346
377	37.012	SE23FBG-377
400	39.270	SE23FBG-400
408	49.055	SE23FBG-408
432	42.411	SE23FBG-432
440	43.197	SE23FBG-440
464	45.553	SE23FBG-464
471	46.240	SE23FBG-471
480	47.124	SE23FBG-480
496	48.694	SE23FBG-496
512	50.265	SE23FBG-512
544	53.407	SE23FBG-544
560	54.978	SE23FBG-560
576	56.548	SE23FBG-576
640	62.832	SE23FBG-640

NOT SPLICED	
5 FT LENGTH	SE23FBG-5FT
10 FT LENGTH	SE23FBG-10FT
25 FT LENGTH	SE23FBG-25FT
50 FT LENGTH	SE23FBG-50FT
100 FT LENGTH	SE23FBG-100FT



- Weight .14 oz/ft
- 1/32" Dia. St. Steel Cable
- Polyurethane (Red)
- Hardness - 90A Duro.
- Tensile Strength 100lbs (10 lbs./Pin)
- Temp. Range +180 °F to -65F
- 1800 RPM Max

CHAIN SPROCKET

4 mm Pitch (.1570 Cir. Pitch)

Hub & Hubless Style

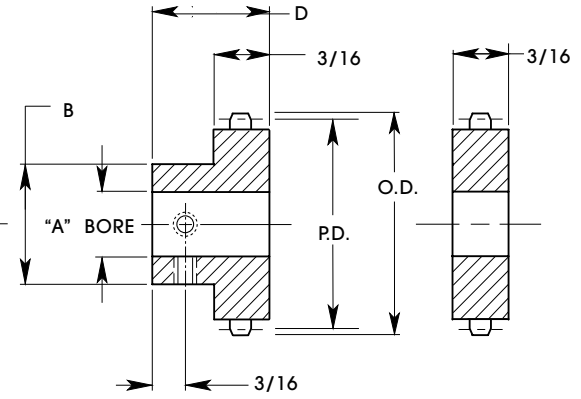
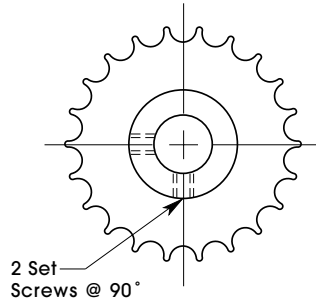
Bore 1/8 • 3/16 • 1/4 • 5/16 • 3/8 • 11/16 (inches)



AVAILABLE IN:
ALUMINUM 2024
CHROMIC ACID ANODIZED
&
STAINLESS STEEL

- ADD AN "A" OR "S" TO PART NUMBER

A	B	C	D	SET SCREW
.1248	5/16	.090	3/8	2-56
.1873	3/8	.110	13/32	4-40
.2498	1/2	.120	7/16	6-32
.3123	1/2	.120	7/16	6-32



NO. OF TEETH	PITCH DIAMETER	OUTSIDE DIAMETER	CATALOG NUMBER / BORE ^{+0.0005} / _{-0.0000}				HUBLESS	
			.1248	.1873	.2498	.3123	.3748 †	.6871 †
10	.4994	.561	SEPM314-10	SEPM321-10	-----	-----	-----	-----
11	.5493	.611	SEPM314-11	SEPM321-11	-----	-----	-----	-----
12	.5992	.661	SEPM314-12	SEPM321-12	SEPM328-12	SEPM332-12	-----	-----
13	.6492	.711	SEPM314-13	SEPM321-13	SEPM328-13	SEPM332-13	-----	-----
14	.6991	.761	SEPM314-14	SEPM321-14	SEPM328-14	SEPM332-14	SEFM35-14	-----
15	.7490	.810	SEPM314-15	SEPM321-15	SEPM328-15	SEPM332-15	SEFM35-15	-----
16	.7990	.861	SEPM314-16	SEPM321-16	SEPM328-16	SEPM332-16	SEFM35-16	-----
17	.8489	.910	SEPM314-17	SEPM321-17	SEPM328-17	SEPM332-17	SEFM35-17	-----
18	.8988	.960	SEPM314-18	SEPM321-18	SEPM328-18	SEPM332-18	SEFM35-18	-----
19	.9488	1.010	SEPM314-19	SEPM321-19	SEPM328-19	SEPM332-19	SEFM35-19	-----
20	.9987	1.060	SEPM314-20	SEPM321-20	SEPM328-20	SEPM332-20	SEFM35-20	SEFM319-20
22	1.0986	1.160	SEPM314-22	SEPM321-22	SEPM328-22	SEPM332-22	SEFM35-22	SEFM319-22
24	1.1985	1.260	SEPM314-24	SEPM321-24	SEPM328-24	SEPM332-24	SEFM35-24	SEFM319-24
25	1.2484	1.310	SEPM314-25	SEPM321-25	SEPM328-25	SEPM332-25	SEFM35-25	SEFM319-25
26	1.2983	1.360	SEPM314-26	SEPM321-26	SEPM328-26	SEPM332-26	SEFM35-26	SEFM319-26
28	1.3982	1.460	SEPM314-28	SEPM321-28	SEPM328-28	SEPM332-28	SEFM35-28	SEFM319-28
30	1.4981	1.560	SEPM314-30	SEPM321-30	SEPM328-30	SEPM332-30	SEFM35-30	SEFM319-30
32	1.5980	1.660	SEPM314-32	SEPM321-32	SEPM328-32	SEPM332-32	SEFM35-32	SEFM319-32
* 35	1.7478	1.809	SEPM314-35	SEPM321-35	SEPM328-35	SEPM332-35	SEFM35-35	SEFM319-35
* 36	1.7977	1.859	SEPM314-36	SEPM321-36	SEPM328-36	SEPM332-36	SEFM35-36	SEFM319-36
* 40	1.9974	2.059	SEPM314-40	SEPM321-40	SEPM328-40	SEPM332-40	SEFM35-40	SEFM319-40
* 45	2.2471	2.309	SEPM314-45	SEPM321-45	SEPM328-45	SEPM332-45	SEFM35-45	SEFM319-45
* 50	2.4968	2.558	SEPM314-50	SEPM321-50	SEPM328-50	SEPM332-50	SEFM35-50	SEFM319-50
* 55	2.7465	2.808	SEPM314-55	SEPM321-55	SEPM328-55	SEPM332-55	SEFM35-55	SEFM319-55
* 60	2.9962	3.058	SEPM314-60	SEPM321-60	SEPM328-60	SEPM332-60	SEFM35-60	SEFM319-60
* 65	3.2458	3.307	SEPM314-65	SEPM321-65	SEPM328-65	SEPM332-65	SEFM35-65	SEFM319-65
* 70	3.4955	3.557	SEPM314-70	SEPM321-70	SEPM328-70	SEPM332-70	SEFM35-70	SEFM319-70
* 75	3.7452	3.807	SEPM314-75	SEPM321-75	SEPM328-75	SEPM332-75	SEFM35-75	SEFM319-75
* 80	3.9949	4.056	SEPM314-80	SEPM321-80	SEPM328-80	SEPM332-80	SEFM35-80	SEFM319-80

* TWO PIECE CONSTRUCTION WITH STAINLESS HUB SPROCKETS .750 P.D. and SMALLER ARE FOR IDLER USE ONLY † HUBLESS STYLE NOT AVAILABLE IN STAINLESS STEEL

DRIVE CHAIN

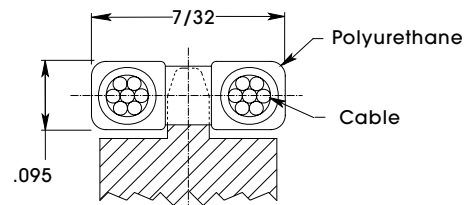
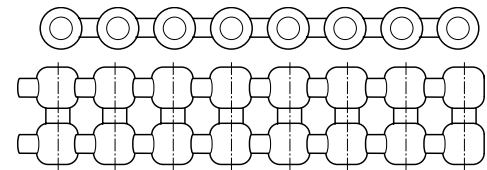


NO. OF PITCHES	LENGTH	CATALOG NUMBER
30	4.712	SEFCC3-30
35	5.497	SEFCC3-35
40	6.283	SEFCC3-40
45	7.068	SEFCC3-45
50	7.854	SEFCC3-50
55	8.639	SEFCC3-55
60	9.424	SEFCC3-60
70	10.995	SEFCC3-70
80	12.566	SEFCC3-80
90	14.137	SEFCC3-90
100	15.708	SEFCC3-100
110	17.278	SEFCC3-110
120	18.849	SEFCC3-120
130	20.420	SEFCC3-130
140	21.991	SEFCC3-140
150	23.562	SEFCC3-150
160	25.132	SEFCC3-160
170	26.703	SEFCC3-170
180	28.274	SEFCC3-180
190	29.845	SEFCC3-190
200	31.416	SEFCC3-200
210	32.986	SEFCC3-210
220	34.557	SEFCC3-220

NO. OF PITCHES	LENGTH	CATALOG NUMBER
230	36.128	SEFCC3-230
240	37.699	SEFCC3-240
250	39.270	SEFCC3-250
260	40.840	SEFCC3-260
270	42.411	SEFCC3-270
280	43.982	SEFCC3-280
290	45.553	SEFCC3-290
300	47.124	SEFCC3-300
310	48.694	SEFCC3-310
320	50.265	SEFCC3-320
330	51.836	SEFCC3-330
340	53.407	SEFCC3-340
380	59.690	SEFCC3-380
400	62.832	SEFCC3-400
420	65.973	SEFCC3-420
440	69.115	SEFCC3-440

NOT SPLICED

5 FT LENGTH	SEFCC3-5FT
10 FT LENGTH	SEFCC3-10FT
25 FT LENGTH	SEFCC3-25FT
50 FT LENGTH	SEFCC3-50FT
100 FT LENGTH	SEFCC3-100FT



- Weight .13 oz/ft
- 1/32" Dia. St. Steel Cable
- Polyurethane (Red)
- Hardness - 90A Duro.
- Tensile Strength 100lbs (10 lbs./Pin)
- Temp. Range +180 °F to -65F
- 1800 RPM Max

DUAL CHAIN SPROCKETS

4 mm Pitch (.1570 Cir. Pitch)

Hub & Hubless Style

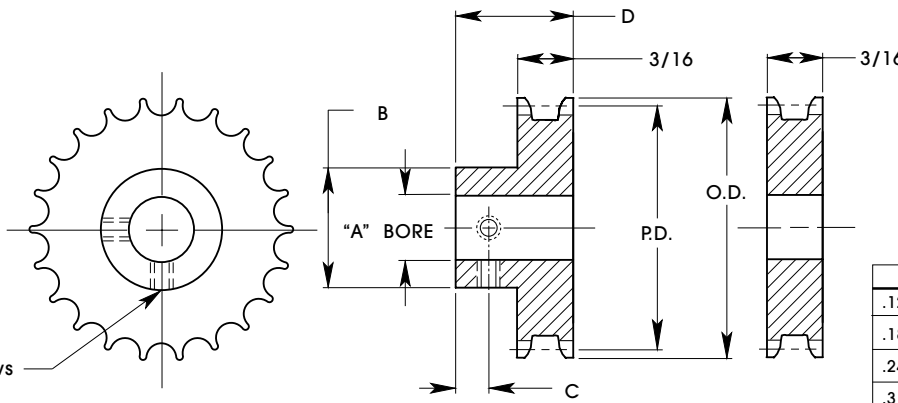
Bore 1/8 • 3/16 • 1/4 • 5/16

7/8 • 11/16

AVAILABLE IN:
ALUMINUM 2024
CHROMIC ACID ANODIZED
&
STAINLESS STEEL

- ADD AN "A" OR "S" TO PART NUMBER

A	B	C	D	SET SCREW
.1248	5/16	.090	3/8	2-56
.1873	3/8	.110	13/32	4-40
.2498	1/2	.120	7/16	6-32
.3123	1/2	.120	7/16	6-32



2 Set Screws @ 90°

NO. OF TEETH	PITCH DIAMETER	OUTSIDE DIAMETER	CATALOG NUMBER / BORE ^{+0.0005} / _{-0.0000}				HUBLESS	
			.1248	.1873	.2498	.3123	.3748 †	.6871 †
10	.4994	.561	SEPDM314-10	SEPDM321-10	-----	-----	-----	-----
11	.5493	.611	SEPDM314-11	SEPDM321-11	-----	-----	-----	-----
12	.5992	.661	SEPDM314-12	SEPDM321-12	SEPDM328-12	SEPDM332-12	-----	-----
13	.6492	.711	SEPDM314-13	SEPDM321-13	SEPDM328-13	SEPDM332-13	-----	-----
14	.6991	.761	SEPDM314-14	SEPDM321-14	SEPDM328-14	SEPDM332-14	SEFDM35-14	-----
15	.7490	.810	SEPDM314-15	SEPDM321-15	SEPDM328-15	SEPDM332-15	SEFDM35-15	-----
16	.7990	.861	SEPDM314-16	SEPDM321-16	SEPDM328-16	SEPDM332-16	SEFDM35-16	-----
17	.8489	.910	SEPDM314-17	SEPDM321-17	SEPDM328-17	SEPDM332-17	SEFDM35-17	-----
18	.8988	.960	SEPDM314-18	SEPDM321-18	SEPDM328-18	SEPDM332-18	SEFDM35-18	SEFDM319-18
19	.9488	1.010	SEPDM314-19	SEPDM321-19	SEPDM328-19	SEPDM332-19	SEFDM35-19	SEFDM319-19
20	.9987	1.060	SEPDM314-20	SEPDM321-20	SEPDM328-20	SEPDM332-20	SEFDM35-20	SEFDM319-20
22	1.0986	1.160	SEPDM314-22	SEPDM321-22	SEPDM328-22	SEPDM332-22	SEFDM35-22	SEFDM319-22
24	1.1985	1.260	SEPDM314-24	SEPDM321-24	SEPDM328-24	SEPDM332-24	SEFDM35-24	SEFDM319-24
25	1.2484	1.310	SEPDM314-25	SEPDM321-25	SEPDM328-25	SEPDM332-25	SEFDM35-25	SEFDM319-25
26	1.2983	1.360	SEPDM314-26	SEPDM321-26	SEPDM328-26	SEPDM332-26	SEFDM35-26	SEFDM319-26
28	1.3982	1.460	SEPDM314-28	SEPDM321-28	SEPDM328-28	SEPDM332-28	SEFDM35-28	SEFDM319-28
30	1.4981	1.560	SEPDM314-30	SEPDM321-30	SEPDM328-30	SEPDM332-30	SEFDM35-30	SEFDM319-30
32	1.5980	1.660	SEPDM314-32	SEPDM321-32	SEPDM328-32	SEPDM332-32	SEFDM35-32	SEFDM319-32
* 35	1.7478	1.809	SEPDM314-35	SEPDM321-35	SEPDM328-35	SEPDM332-35	SEFDM35-35	SEFDM319-35
* 36	1.7977	1.859	SEPDM314-36	SEPDM321-36	SEPDM328-36	SEPDM332-36	SEFDM35-36	SEFDM319-36
* 40	1.9974	2.059	SEPDM314-40	SEPDM321-40	SEPDM328-40	SEPDM332-40	SEFDM35-40	SEFDM319-40
* 45	2.2471	2.309	SEPDM314-45	SEPDM321-45	SEPDM328-45	SEPDM332-45	SEFDM35-45	SEFDM319-45
* 50	2.4968	2.558	SEPDM314-50	SEPDM321-50	SEPDM328-50	SEPDM332-50	SEFDM35-50	SEFDM319-50
* 55	2.7465	2.808	SEPDM314-55	SEPDM321-55	SEPDM328-55	SEPDM332-55	SEFDM35-55	SEFDM319-55
* 60	2.9962	3.058	SEPDM314-60	SEPDM321-60	SEPDM328-60	SEPDM332-60	SEFDM35-60	SEFDM319-60
* 65	3.2458	3.307	SEPDM314-65	SEPDM321-65	SEPDM328-65	SEPDM332-65	SEFDM35-65	SEFDM319-65
* 70	3.4955	3.557	SEPDM314-70	SEPDM321-70	SEPDM328-70	SEPDM332-70	SEFDM35-70	SEFDM319-70
* 75	3.7452	3.807	SEPDM314-75	SEPDM321-75	SEPDM328-75	SEPDM332-75	SEFDM35-75	SEFDM319-75
* 80	3.9949	4.056	SEPDM314-80	SEPDM321-80	SEPDM328-80	SEPDM332-80	SEFDM35-80	SEFDM319-80

* TWO PIECE CONSTRUCTION WITH STAINLESS HUB

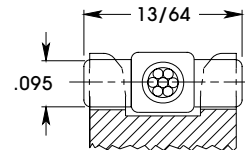
SPROCKETS .750 PD. and SMALLER ARE FOR IDLER USE ONLY

† HUBLESS STYLE NOT AVAILABLE IN STAINLESS STEEL

DRIVE BELTS

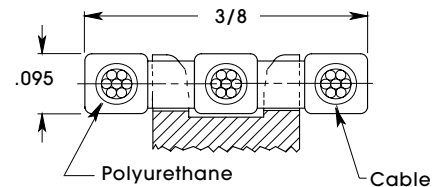
TYPE A

- Weight .12 oz/ft
- 1/32" Dia. St. Steel Cable
- Polyurethane (Yellow)
- Hardness - 90A Duro.
- Tensile Strength 50lbs (9 lbs./Pin)
- Temp. Range +180° F to -65F
- 1800 RPM Max



TYPE B

- Weight .21 oz/ft
- 1/32" Dia. St. Steel Cable
- Polyurethane (Brown)
- Hardness - 90A Duro.
- Tensile Strength 100lbs (30 lbs./Pin)
- Temp. Range +180° F to -65F
- 1800 RPM Max



NO. OF PITCHES	LENGTH	CATALOG NUMBER	
		TYPE A	TYPE B
30	4.712	SEFBC3-30	SEFCD3-30
35	5.497	SEFBC3-35	SEFCD3-35
40	6.283	SEFBC3-40	SEFCD3-40
45	7.068	SEFBC3-45	SEFCD3-45
50	7.854	SEFBC3-50	SEFCD3-50
55	8.639	SEFBC3-55	SEFCD3-55
60	9.424	SEFBC3-60	SEFCD3-60
70	10.995	SEFBC3-70	SEFCD3-70
80	12.566	SEFBC3-80	SEFCD3-80
90	14.137	SEFBC3-90	SEFCD3-90
100	15.708	SEFBC3-100	SEFCD3-100
110	17.278	SEFBC3-110	SEFCD3-110
120	18.849	SEFBC3-120	SEFCD3-120
130	20.420	SEFBC3-130	SEFCD3-130
140	21.991	SEFBC3-140	SEFCD3-140
150	23.562	SEFBC3-150	SEFCD3-150
160	25.132	SEFBC3-160	SEFCD3-160
170	26.703	SEFBC3-170	SEFCD3-170
180	28.274	SEFBC3-180	SEFCD3-180
190	29.845	SEFBC3-190	SEFCD3-190
200	31.416	SEFBC3-200	SEFCD3-200
210	32.986	SEFBC3-210	SEFCD3-210
220	34.557	SEFBC3-220	SEFCD3-220

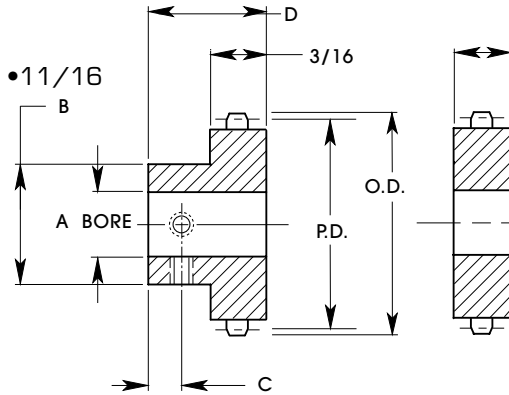
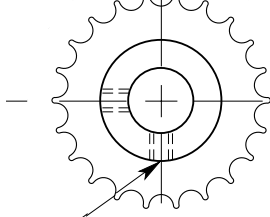
NOT SPLICED	TYPE A	TYPE B
5 FT LENGTH	SEFBC3-5FT	SEFCD3-5FT
10 FT LENGTH	SEFBC3-10FT	SEFCD3-10FT
25 FT LENGTH	SEFBC3-25FT	SEFCD3-25FT
50 FT LENGTH	SEFBC3-50FT	SEFCD3-50FT
100 FT LENGTH	SEFBC3-100FT	SEFCD3-100FT

CHAIN SPROCKETS

.1475" Circular Pitch

Hub & Hubless Style

Bore 1/8 • 3/16 • 1/4 • 5/16 • 3/8 • 11/16



AVAILABLE IN:
ALUMINUM 2024
CHROMIC ACID ANODIZED
&
STAINLESS STEEL

- ADD AN "A" OR "S" TO PART NUMBER

A	B	C	D	SET SCREW
.1248	5/16	.090	3/8	2-56
.1873	3/8	.110	13/32	4-40
.2498	1/2	.120	7/16	6-32
.3123	1/2	.120	7/16	6-32

2 Set Screws @ 90°

NO. OF TEETH	PITCH DIAMETER	OUTSIDE DIAMETER	CATALOG NUMBER / BORE				HUBLESS	
			.1248	.1873	.2498	.3123	.3748 †	.6871 †
10	.4724	.552	SECL4114-10	SECL4121-10	-----	-----	-----	-----
11	.5196	.599	SECL4114-11	SECL4121-11	-----	-----	-----	-----
12	.5669	.646	SECL4114-12	SECL4121-12	-----	-----	-----	-----
13	.6141	.694	SECL4114-13	SECL4121-13	SECL4128-13	SECL4132-13	-----	-----
14	.6613	.741	SECL4114-14	SECL4121-14	SECL4128-14	SECL4128-14	SEPL415-14	SEPL4119-14
15	.7086	.788	SECL4114-15	SECL4121-15	SECL4128-15	SECL4128-15	SEPL415-15	SEPL4119-15
16	.7558	.835	SECL4114-16	SECL4121-16	SECL4128-16	SECL4128-16	SEPL415-16	SEPL4119-16
17	.8030	.883	SECL4114-17	SECL4121-17	SECL4128-17	SECL4128-17	SEPL415-17	SEPL4119-17
18	.8503	.930	SECL4114-18	SECL4121-18	SECL4128-18	SECL4128-18	SEPL415-18	SEPL4119-18
19	.8975	.977	SECL4114-19	SECL4121-19	SECL4128-19	SECL4128-19	SEPL415-19	SEPL4119-19
20	.9448	1.024	SECL4114-20	SECL4121-20	SECL4128-20	SECL4128-20	SEPL415-20	SEPL4119-20
21	.9920	1.072	SECL4114-21	SECL4121-21	SECL4128-21	SECL4128-21	SEPL415-21	SEPL4119-21
22	1.0392	1.119	SECL4114-22	SECL4121-22	SECL4128-22	SECL4128-22	SEPL415-22	SEPL4119-22
23	1.0865	1.166	SECL4114-23	SECL4121-23	SECL4128-23	SECL4128-23	SEPL415-23	SEPL4119-23
24	1.1337	1.213	SECL4114-24	SECL4121-24	SECL4128-24	SECL4128-24	SEPL415-24	SEPL4119-24
25	1.1809	1.260	SECL4114-25	SECL4121-25	SECL4128-25	SECL4128-25	SEPL415-25	SEPL4119-25
26	1.2282	1.308	SECL4114-26	SECL4121-26	SECL4128-26	SECL4128-26	SEPL415-26	SEPL4119-26
27	1.2754	1.355	SECL4114-27	SECL4121-27	SECL4128-27	SECL4128-27	SEPL415-27	SEPL4119-27
28	1.3226	1.402	SECL4114-28	SECL4121-28	SECL4128-28	SECL4128-28	SEPL415-28	SEPL4119-28
29	1.3699	1.449	SECL4114-29	SECL4121-29	SECL4128-29	SECL4128-29	SEPL415-29	SEPL4119-29
30	1.4171	1.497	SECL4114-30	SECL4121-30	SECL4128-30	SECL4128-30	SEPL415-30	SEPL4119-30
31	1.4644	1.544	SECL4114-31	SECL4121-31	SECL4128-31	SECL4128-31	SEPL415-31	SEPL4119-31
32	1.5116	1.591	SECL4114-32	SECL4121-32	SECL4128-32	SECL4128-32	SEPL415-32	SEPL4119-32
33	1.5588	1.638	SECL4114-33	SECL4121-33	SECL4128-33	SECL4128-33	SEPL415-33	SEPL4119-33
34	1.6061	1.686	SECL4114-34	SECL4121-34	SECL4128-34	SECL4128-34	SEPL415-34	SEPL4119-34
35	1.6533	1.733	SECL4114-35	SECL4121-35	SECL4128-35	SECL4128-35	SEPL415-35	SEPL4119-35
36	1.7005	1.780	SECL4114-36	SECL4121-36	SECL4128-36	SECL4128-36	SEPL415-36	SEPL4119-36
38	1.7950	1.875	SECL4114-38	SECL4121-38	SECL4128-38	SECL4128-38	SEPL415-38	SEPL4119-38
40	1.8895	1.969	SECL4114-40	SECL4121-40	SECL4128-40	SECL4128-40	SEPL415-40	SEPL4119-40
42	1.9840	2.064	SECL4114-42	SECL4121-42	SECL4128-42	SECL4128-42	SEPL415-42	SEPL4119-42
44	2.0784	2.158	SECL4114-44	SECL4121-44	SECL4128-44	SECL4128-44	SEPL415-44	SEPL4119-44
45	2.1257	2.205	SECL4114-45	SECL4121-45	SECL4128-45	SECL4128-45	SEPL415-45	SEPL4119-45
48	2.2674	2.347	SECL4114-48	SECL4121-48	SECL4128-48	SECL4128-48	SEPL415-48	SEPL4119-48
50	2.3619	2.441	SECL4114-50	SECL4121-50	SECL4128-50	SECL4128-50	SEPL415-50	SEPL4119-50
52	2.4563	2.536	SECL4114-52	SECL4121-52	SECL4128-52	SECL4128-52	SEPL415-52	SEPL4119-52
54	2.5508	2.630	SECL4114-54	SECL4121-54	SECL4128-54	SECL4128-54	SEPL415-54	SEPL4119-54
55	2.5981	2.678	SECL4114-55	SECL4121-55	SECL4128-55	SECL4128-55	SEPL415-55	SEPL4119-55
56	2.6453	2.725	SECL4114-56	SECL4121-56	SECL4128-56	SECL4128-56	SEPL415-56	SEPL4119-56
60	2.8342	2.914	SECL4114-60	SECL4121-60	SECL4128-60	SECL4128-60	SEPL415-60	SEPL4119-60
65	3.0704	3.150	SECL4114-65	SECL4121-65	SECL4128-65	SECL4128-65	SEPL415-65	SEPL4119-65
70	3.3066	3.386	SECL4114-70	SECL4121-70	SECL4128-70	SECL4128-70	SEPL415-70	SEPL4119-70
72	3.4011	3.481	SECL4114-72	SECL4121-72	SECL4128-72	SECL4128-72	SEPL415-72	SEPL4119-72
75	3.5428	3.622	SECL4114-75	SECL4121-75	SECL4128-75	SECL4128-75	SEPL415-75	SEPL4119-75
80	3.7790	3.859	SECL4114-80	SECL4121-80	SECL4128-80	SECL4128-80	SEPL415-80	SEPL4119-80
85	4.0152	4.095	SECL4114-85	SECL4121-85	SECL4128-85	SECL4128-85	SEPL415-85	SEPL4119-85

* TWO PIECE CONSTRUCTION WITH STAINLESS HUB SPROCKETS .750 PD. and SMALLER ARE FOR IDLER USE ONLY † HUBLESS STYLE NOT AVAILABLE IN STAINLESS STEEL

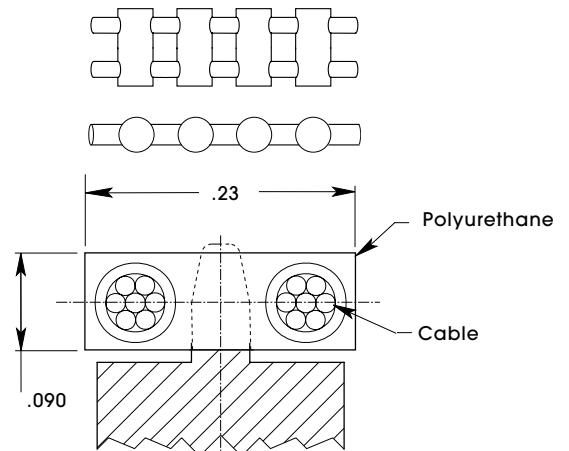
CABLE CHAIN

NO. OF PITCHES	LENGTH	CATALOG NUMBER
40	5.900	SEFCC14-40
50	7.375	SEFCC14-50
60	8.850	SEFCC14-60
70	10.325	SEFCC14-70
80	11.800	SEFCC14-80
90	13.275	SEFCC14-90
100	14.750	SEFCC14-100
110	16.225	SEFCC14-110
120	17.700	SEFCC14-120
130	19.175	SEFCC14-130

NO. OF PITCHES	LENGTH	CATALOG NUMBER
140	20.650	SEFCC14-140
150	22.125	SEFCC14-150
160	23.600	SEFCC14-160
170	25.075	SEFCC14-170
180	26.550	SEFCC14-180
190	28.025	SEFCC14-190
200	29.500	SEFCC14-200
210	30.975	SEFCC14-210
220	32.450	SEFCC14-220
230	33.925	SEFCC14-230

NOT SPLICED	
5 FT LENGTH	SEFCC14-5FT
10 FT LENGTH	SEFCC14-10FT
25 FT LENGTH	SEFCC14-25FT
50 FT LENGTH	SEFCC14-50FT
100 FT LENGTH	SEFCC14-100FT

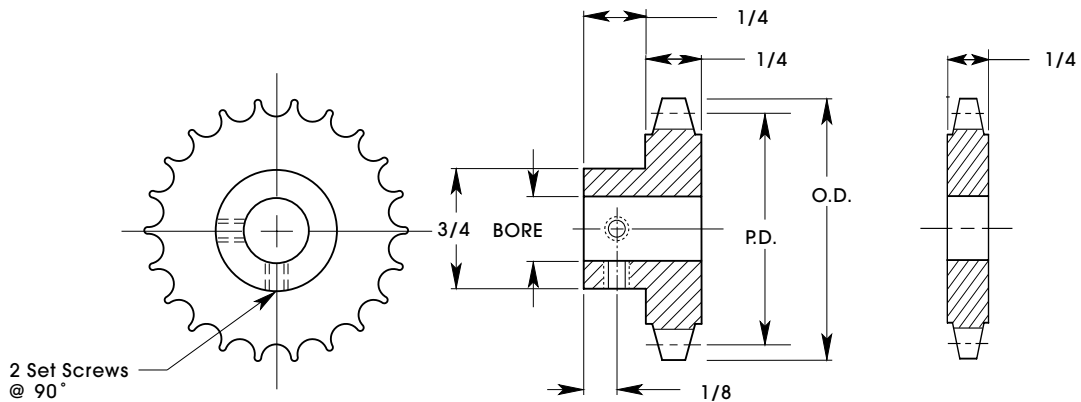
- Weight .15 oz/ft
- 1/32" Dia. St. Steel Cable
- Polyurethane (Blue)
- Hardness - 90A Duro.
- Tensile Strength 100lbs (12 lbs./Pin)
- Temp. Range +180° F to -65F
- 1800 RPM Max



CHAIN SPROCKETS

.250" Circular Pitch
Hub & Hubless Style

Bore 1/4 • 3/8 • 1/2



NO. OF TEETH	PITCH DIAMETER	OUTSIDE DIAMETER	CATALOG NUMBER / BORE ^{+0.002} / _{-0.000}			HUBLESSS
			.250	.375	.500	.375
9	.7205	.840	SE52PC66-9	SE52PC76-9	SE52PC86-9	SE52PC77-9
10	.8006	.920	SE52PC66-10	SE52PC76-10	SE52PC86-10	SE52PC77-10
12	.9607	1.080	SE52PC66-12	SE52PC76-12	SE52PC86-12	SE52PC77-12
13	1.0407	1.160	SE52PC66-13	SE52PC76-13	SE52PC86-13	SE52PC77-13
14	1.1208	1.240	SE52PC66-14	SE52PC76-14	SE52PC86-14	SE52PC77-14
15	1.2008	1.320	SE52PC66-15	SE52PC76-15	SE52PC86-15	SE52PC77-15
16	1.2809	1.400	SE52PC66-16	SE52PC76-16	SE52PC86-16	SE52PC77-16
18	1.4410	1.561	SE52PC66-18	SE52PC76-18	SE52PC86-18	SE52PC77-18
20	1.6011	1.721	SE52PC66-20	SE52PC76-20	SE52PC86-20	SE52PC77-20
24	1.9213	2.041	SE52PC66-24	SE52PC76-24	SE52PC86-24	SE52PC77-24
25	2.0014	2.121	SE52PC66-25	SE52PC76-25	SE52PC86-25	SE52PC77-25
28	2.2416	2.361	SE52PC66-28	SE52PC76-28	SE52PC86-28	SE52PC77-28
30	2.4017	2.521	SE52PC66-30	SE52PC76-30	SE52PC86-30	SE52PC77-30
36	2.8648	2.984	SE52PC66-36	SE52PC76-36	SE52PC86-36	SE52PC77-36
40	3.1831	3.303	SE52PC66-40	SE52PC76-40	SE52PC86-40	SE52PC77-40
48	3.8197	3.939	SE52PC66-48	SE52PC76-48	SE52PC86-48	SE52PC77-48
60	4.7746	4.894	SE52PC66-60	SE52PC76-60	SE52PC86-60	SE52PC77-60
72	5.7296	5.849	SE52PC66-72	SE52PC76-72	SE52PC86-72	SE52PC77-72

AVAILABLE IN:
ALUMINUM 2024
CHROMIC ACID ANODIZED
"RED"

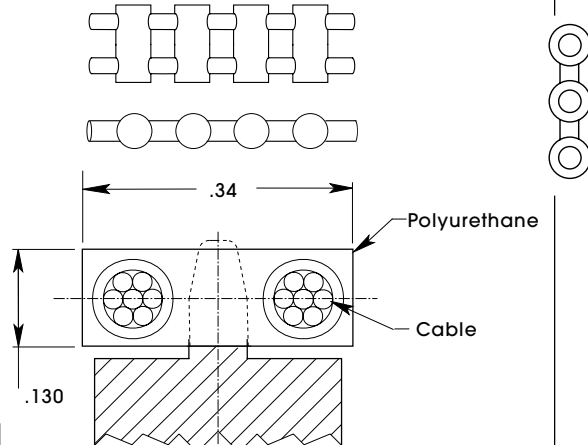
CABLE CHAIN

NO. OF PITCHES	LENGTH	CATALOG NUMBER
40	10.000	SEFCC25-40
50	12.500	SEFCC25-50
60	15.000	SEFCC25-60
70	17.500	SEFCC25-70
80	20.000	SEFCC25-80
90	22.500	SEFCC25-90
100	25.000	SEFCC25-100
110	27.500	SEFCC25-110
120	30.000	SEFCC25-120
130	32.500	SEFCC25-130
140	35.000	SEFCC25-140
150	37.500	SEFCC25-150
160	40.000	SEFCC25-160
170	42.500	SEFCC25-170
180	45.000	SEFCC25-180
190	47.500	SEFCC25-190
200	50.000	SEFCC25-200
210	52.500	SEFCC25-210
220	55.000	SEFCC25-220
230	57.500	SEFCC25-230

NO. OF PITCHES	LENGTH	CATALOG NUMBER
240	60.000	SEFCC25-240
250	62.500	SEFCC25-250
260	65.000	SEFCC25-260
270	67.500	SEFCC25-270
280	70.000	SEFCC25-280
290	72.500	SEFCC25-290
300	75.000	SEFCC25-300
310	77.500	SEFCC25-310
320	80.000	SEFCC25-320
330	82.500	SEFCC25-330
370	92.500	SEFCC25-370
380	95.000	SEFCC25-380
390	97.500	SEFCC25-390

NOT SPLICED

5 FT LENGTH	SEFCC25-5FT
10 FT LENGTH	SEFCC25-10FT
25 FT LENGTH	SEFCC25-25FT
50 FT LENGTH	SEFCC25-50FT
100 FT LENGTH	SEFCC25-100FT



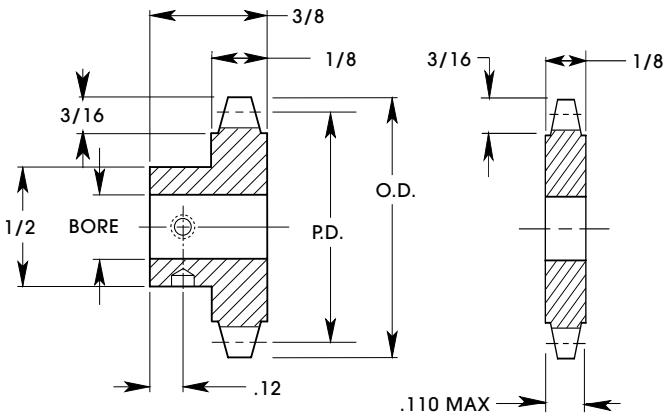
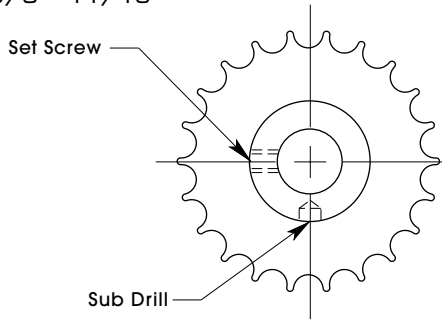
- Weight .30 oz/ft
- 1/32 Dia. St. Steel Cable
- Polyurethane (Yellow)
- Hardness - 90A Duro.
- Tensile Strength 100lbs (22 lbs./Pin)
- Temp. Range +180 °F to -65F
- 1800 RPM Max

SPROCKETS

.250" Pitch

Hub & Hubless Style

Bore 1/4 • 3/8 • 11/16



HUB STYLE

NO. OF TEETH	PITCH DIAMETER	OUTSIDE DIAMETER	BORE .2498 ^{+0.002} _{-.0000}	
			ALUMINUM	STAINLESS
9	.7310	.836	SE52ME62-9A	SE52ME62-9S
10	.8090	.919	SE52ME62-10A	SE52ME62-10S
11	.8874	1.001	SE52ME62-11A	SE52ME62-11S
12	.9659	1.083	SE52ME62-12A	SE52ME62-12S
13	1.0446	1.164	SE52ME62-13A	SE52ME62-13S
14	1.1235	1.245	SE52ME62-14A	SE52ME62-14S
15	1.2024	1.326	SE52ME62-15A	SE52ME62-15S
16	1.2815	1.406	SE52ME62-16A	SE52ME62-16S
18	1.4397	1.567	SE52ME62-18A	SE52ME62-18S
20	1.5981	1.728	SE52ME62-20A	SE52ME62-20S
21	1.6774	1.808	SE52ME62-21A	SE52ME62-21S
22	1.7567	1.888	SE52ME62-22A	SE52ME62-22S
24	1.9153	2.048	SE52ME62-24A	SE52ME62-24S
25	1.9947	2.128	SE52ME62-25A	SE52ME62-25S
26	2.0741	2.208	SE52ME62-26A	SE52ME62-26S
28	2.2329	2.368	SE52ME62-28A	SE52ME62-28S
30	2.3917	2.528	SE52ME62-30A	SE52ME62-30S
32	2.5506	2.688	SE52ME62-32A	SE52ME62-32S
36	2.8684	3.007	SE52ME62-36A	SE52ME62-36S
40	3.1864	3.326	SE52ME62-40A	SE52ME62-40S
45	3.5839	3.725	SE52ME62-45A	SE52ME62-45S
48	3.8224	3.964	SE52ME62-48A	SE52ME62-48S
50	3.9815	4.123	SE52ME62-50A	SE52ME62-50S
54	4.2996	4.442	SE52ME62-54A	SE52ME62-54S

HUBLESS STYLE

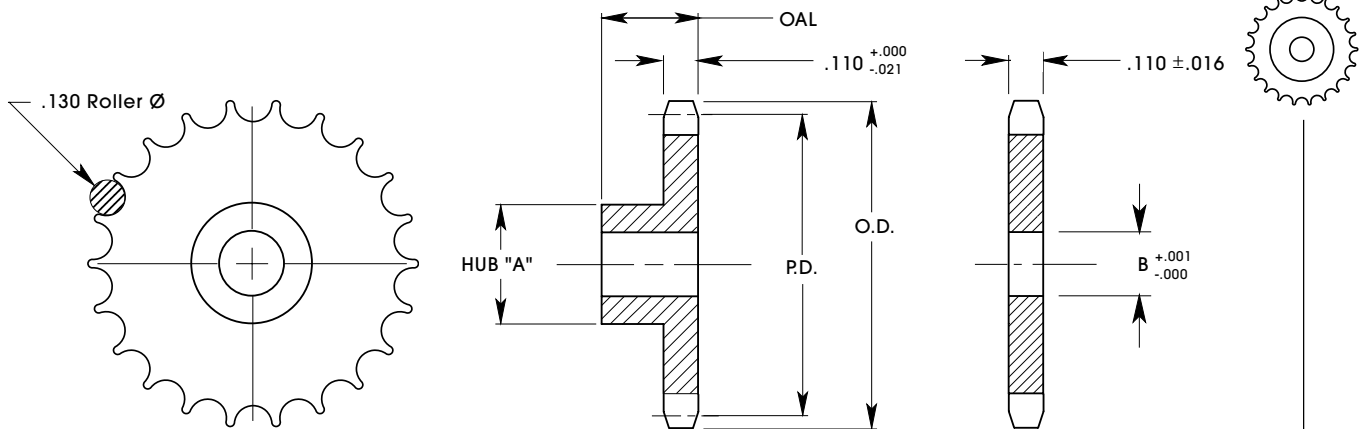
NO. OF TEETH	PITCH DIAMETER	OUTSIDE DIAMETER	303 STAINLESS STEEL	
			BORE .3748 ^{+0.002} _{-.0000}	BORE .6871 ^{+0.002} _{-.0000}
10	.8090	.919	SE52PS3-10	SE52PS71-10
11	.8874	1.001	SE52PS3-11	SE52PS71-11
12	.9659	1.083	SE52PS3-12	SE52PS71-12
13	1.0446	1.164	SE52PS3-13	SE52PS71-13
14	1.1235	1.245	SE52PS3-14	SE52PS71-14
15	1.2024	1.326	SE52PS3-15	SE52PS71-15
16	1.2815	1.406	SE52PS3-16	SE52PS71-16
17	1.3605	1.487	SE52PS3-17	SE52PS71-17
18	1.4397	1.567	SE52PS3-18	SE52PS71-18
19	1.5189	1.648	SE52PS3-19	SE52PS71-19
20	1.5981	1.728	SE52PS3-20	SE52PS71-20
21	1.6774	1.808	SE52PS3-21	SE52PS71-21
22	1.7567	1.888	SE52PS3-22	SE52PS71-22
24	1.9153	2.048	SE52PS3-24	SE52PS71-24
25	1.9947	2.128	SE52PS3-25	SE52PS71-25
26	2.0741	2.208	SE52PS3-26	SE52PS71-26
30	2.3917	2.528	SE52PS3-30	SE52PS71-30
32	2.5506	2.688	SE52PS3-32	SE52PS71-32
36	2.8684	3.007	SE52PS3-36	SE52PS71-36
40	3.1864	3.326	SE52PS3-40	SE52PS71-40
45	3.5839	3.725	SE52PS3-45	SE52PS71-45
48	3.8224	3.964	SE52PS3-48	SE52PS71-48
50	3.9815	4.123	SE52PS3-50	SE52PS71-50
54	4.2996	4.442	SE52PS3-54	SE52PS71-54
60	4.7768	4.920	SE52PS3-60	SE52PS71-60
70	5.5723	5.716	SE52PS3-70	SE52PS71-70
72	5.7314	5.875	SE52PS3-72	SE52PS71-72

MILD STEEL CHAIN SPROCKETS

.250" Circular Pitch

Hub & Hubless Style

Bore 1/4 • 3/8 • 1/2



NO. OF TEETH	PITCH DIAMETER	OUTSIDE DIAMETER	HUB "A"	OAL	HUB		HUBLESS	
					BORE	CAT NO	BORE	CAT NO
9	.7310	.836	.43	.50	.250	SE52MEB-9	---	---
10	.8090	.919	.50	.50	.250	SE52MEB-10	---	---
11	.8874	1.001	.57	.50	.250	SE52MEB-11	---	---
12	.9659	1.083	.62	.50	.250	SE52MEB-12	---	---
13	1.0446	1.164	.72	.50	.250	SE52MEB-13	---	---
14	1.1235	1.245	.81	.50	.250	SE52MEB-14	---	---
15	1.2024	1.326	.89	.50	.250	SE52MEB-15	---	---
16	1.2815	1.406	.96	.50	.250	SE52MEB-16	---	---
18	1.4397	1.567	1.12	.50	.250	SE52MEB-18	.250	SE52PSA-18
20	1.5981	1.728	1.28	.62	.250	SE52MEB-20	.250	SE52PSA-20
21	1.6774	1.808	1.37	.62	.250	SE52MEB-21	---	---
22	1.7567	1.888	1.43	.62	.250	SE52MEB-22	.375	SE52PSA-22
24	1.9153	2.048	1.50	.62	.375	SE52MEB-24	.375	SE52PSA-24
25	1.9947	2.128	1.50	.62	.375	SE52MEB-25	.375	SE52PSA-25
26	2.0741	2.208	1.50	.62	.375	SE52MEB-26	.375	SE52PSA-26
28	2.2329	2.368	1.50	.62	.375	SE52MEB-28	.375	SE52PSA-28
30	2.3917	2.528	1.50	.62	.375	SE52MEB-30	.375	SE52PSA-30
32	2.5506	2.688	1.50	.62	.375	SE52MEB-32	.375	SE52PSA-32
35	2.7890	2.927	1.50	.62	.375	SE52MEB-35	.375	SE52PSA-35
36	2.8684	3.007	1.50	.75	.375	SE52MEB-36	.375	SE52PSA-36
40	3.1864	3.326	2.00	.75	.500	SE52MEB-40	.500	SE52PSA-40
45	3.5839	3.725	2.00	.75	.500	SE52MEB-45	.500	SE52PSA-45
48	3.8224	3.964	2.00	.75	.500	SE52MEB-48	.500	SE52PSA-48
54	4.2996	4.442	2.00	.75	.500	SE52MEB-54	.500	SE52PSA-54
60	4.7768	4.920	2.00	.75	.500	SE52MEB-60	.500	SE52PSA-60
70	5.5723	5.716	2.00	.75	.500	SE52MEB-70	---	---
72	5.7314	5.875	2.00	.75	.500	SE52MEB-72	.500	SE52PSA-72

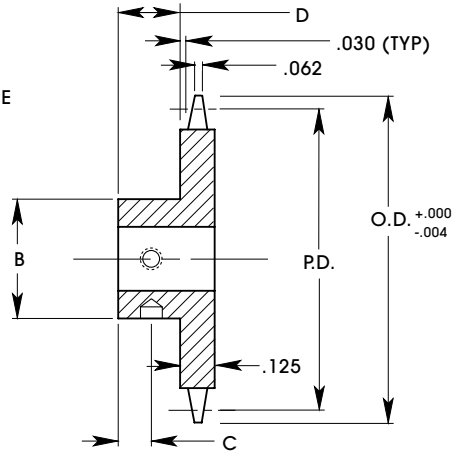
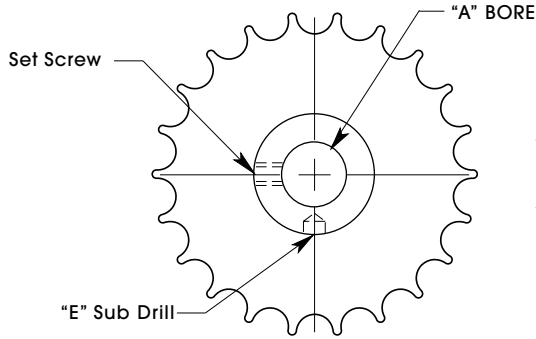
FOR AMERICAN STANDARD NO. 25 ROLLER CHAIN SEE PAGE 77

SPROCKETS

.1475" Micro Pitch

Hub Style

Bore .1248 • .1873 • .2498



NO. OF TEETH	PITCH DIAMETER	OUTSIDE DIAMETER	CATALOG NUMBER / BORE <small>+ .0005 - .0000</small>		
			.1248	.1873	.2498
9	.431	.483	SPR1-9	SPR2-9	SPR3-9
10	.477	.529	SPR1-10	SPR2-10	SPR3-10
11	.524	.576	SPR1-11	SPR2-11	SPR3-11
12	.570	.622	SPR1-12	SPR2-12	SPR3-12
13	.616	.668	SPR1-13	SPR2-13	SPR3-13
14	.663	.715	SPR1-14	SPR2-14	SPR3-14
15	.709	.761	SPR1-15	SPR2-15	SPR3-15
16	.756	.808	SPR1-16	SPR2-16	SPR3-16
17	.803	.855	SPR1-17	SPR2-17	SPR3-17
18	.849	.901	SPR1-18	SPR2-18	SPR3-18
19	.896	.948	SPR1-19	SPR2-19	SPR3-19
20	.943	.995	SPR1-20	SPR2-20	SPR3-20
21	.990	1.042	SPR1-21	SPR2-21	SPR3-21
22	1.036	1.088	SPR1-22	SPR2-22	SPR3-22
23	1.083	1.135	SPR1-23	SPR2-23	SPR3-23
24	1.130	1.182	SPR1-24	SPR2-24	SPR3-24
25	1.177	1.228	SPR1-25	SPR2-25	SPR3-25
26	1.224	1.276	SPR1-26	SPR2-26	SPR3-26
27	1.270	1.322	SPR1-27	SPR2-27	SPR3-27
28	1.317	1.369	SPR1-28	SPR2-28	SPR3-28
29	1.364	1.416	SPR1-29	SPR2-29	SPR3-29
30	1.411	1.463	SPR1-30	SPR2-30	SPR3-30
31	1.458	1.510	SPR1-31	SPR2-31	SPR3-31
32	1.505	1.557	SPR1-32	SPR2-32	SPR3-32
33	1.552	1.604	SPR1-33	SPR2-33	SPR3-33
34	1.598	1.650	SPR1-34	SPR2-34	SPR3-34
35	1.645	1.697	SPR1-35	SPR2-35	SPR3-35
36	1.692	1.744	SPR1-36	SPR2-36	SPR3-36
38	1.786	1.838	SPR1-38	SPR2-38	SPR3-38
40	1.880	1.932	SPR1-40	SPR2-40	SPR3-40
42	1.974	2.026	SPR1-42	SPR2-42	SPR3-42
44	2.068	2.120	SPR1-44	SPR2-44	SPR3-44

A	B	C	D	E	SET SCREW
.1248	.312	.093	.187	.029	2-56
.1873	.375	.109	.218	.040	4-40
.2498	.500	.1254	.250	.086	6-32

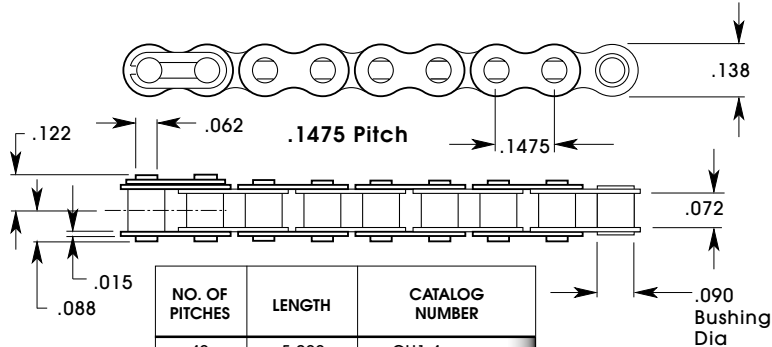
AVAILABLE IN: ALUMINUM AND DELRIN
HUB AND HUBLESS

ROLLER CHAIN

.250 • .1475 • Pitch

Bushing Link, Connecting Link, Spring Clip

.1475 Pitch



MATERIAL:
18-8 STAINLESS STEEL

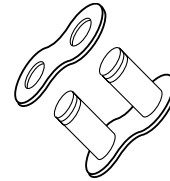
TENSILE STRENGTH:
180lbs. AVERAGE

NO. OF PITCHES	LENGTH	CATALOG NUMBER
40	5.900	CH1-4
50	7.375	CH1-5
60	8.850	CH1-6
70	10.325	CH1-7
80	11.800	CH1-8
90	13.275	CH1-9
100	14.750	CH1-10
110	16.225	CH1-11
120	17.700	CH1-12
130	19.175	CH1-13
140	20.650	CH1-14
150	22.125	CH1-15
160	23.600	CH1-16
170	25.075	CH1-17
180	26.550	CH1-18
190	28.025	CH1-19
200	29.500	CH1-20
210	30.975	CH1-21

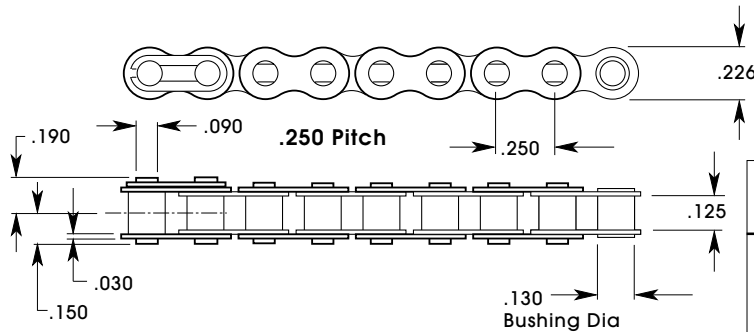
NO. OF PITCHES	LENGTH	CATALOG NUMBER
220	32.450	CH1-22
230	33.925	CH1-23
240	35.400	CH1-24
250	36.875	CH1-25
260	38.350	CH1-26
270	29.825	CH1-27
280	41.300	CH1-28
290	42.775	CH1-29
300	44.250	CH1-30
310	45.725	CH1-31
320	47.200	CH1-32
330	48.675	CH1-33
340	50.150	CH1-34
350	51.625	CH1-35
360	53.100	CH1-36
370	54.575	CH1-37
380	56.050	CH1-38
390	57.525	CH1-39

Connecting Link

PITCH	CATALOG NUMBER
.1475	CL-2-3
.250	CL-2-4



.250 Pitch



MATERIAL:
STAINLESS STEEL or MILD STEEL

TENSILE STRENGTH:
STAINLESS STEEL - 700 Lbs
MILD STEEL - 875 Lbs

NO. OF PITCHES	LENGTH	CATALOG NUMBER	
		STAINLESS STEEL	MILD STEEL
40	10.000	CH1-40	CH1-40M
50	12.500	CH1-50	CH1-50M
60	15.000	CH1-60	CH1-60M
70	17.500	CH1-70	CH1-70M
80	20.000	CH1-80	CH1-80M
90	22.500	CH1-90	CH1-90M
100	25.000	CH1-100	CH1-100M
110	27.500	CH1-110	CH1-110M
120	30.000	CH1-120	CH1-120M
130	32.500	CH1-130	CH1-130M
140	35.000	CH1-140	CH1-140M
150	37.500	CH1-150	CH1-150M
160	40.000	CH1-160	CH1-160M
170	42.500	CH1-170	CH1-170M
180	45.000	CH1-180	CH1-180M
190	47.500	CH1-190	CH1-190M
200	50.000	CH1-200	CH1-200M
210	52.500	CH1-210	CH1-210M
220	55.000	CH1-220	CH1-220M
230	57.500	CH1-230	CH1-230M
240	60.000	CH1-240	CH1-240M
250	62.500	CH1-250	CH1-250M
260	65.000	CH1-260	CH1-260M
270	67.500	CH1-270	CH1-270M
280	70.000	CH1-280	CH1-280M

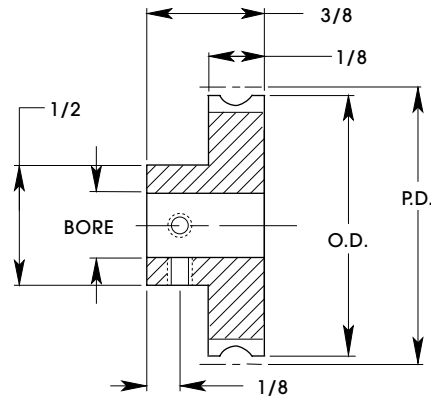
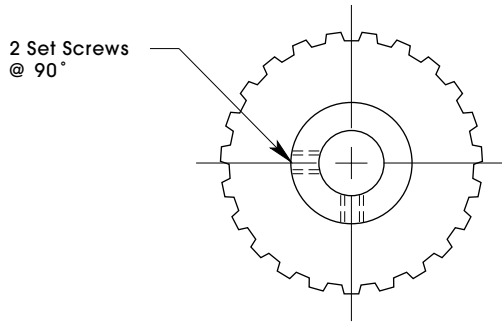
Lengths Not Listed, Available on Request
All lengths are Supplied with connecting Link and Spring Clip

TIMING PULLEYS

40 Pitch (.0816 Cir. Pitch) XXL

Hub Style

Bore 1/8 • 3/16 • 1/4



NO. OF TEETH	PITCH DIAMETER	OUTSIDE DIAMETER +.003 -.000	CATALOG NUMBER / BORE +.002 -.000		
			.125	.187	.250
14	.3636	.349	SEPT82-14	SEPT83-14	SEPT84-14
15	.3896	.375	SEPT82-15	SEPT83-15	SEPT84-15
18	.4675	.453	SEPT82-18	SEPT83-18	SEPT84-18
20	.5195	.505	SEPT82-20	SEPT83-20	SEPT84-20
24	.6234	.609	SEPT82-24	SEPT83-24	SEPT84-24
25	.6494	.635	SEPT82-25	SEPT83-25	SEPT84-25
28	.7273	.713	SEPT82-28	SEPT83-28	SEPT84-28
30	.7792	.765	SEPT82-30	SEPT83-30	SEPT84-30
32	.8312	.817	SEPT82-32	SEPT83-32	SEPT84-32
34	.8831	.869	SEPT82-34	SEPT83-34	SEPT84-34
36	.9351	.921	SEPT82-36	SEPT83-36	SEPT84-36
38	.9870	.972	SEPT82-38	SEPT83-38	SEPT84-38
40	1.0390	1.024	SEPT82-40	SEPT83-40	SEPT84-40
42	1.0909	1.076	SEPT82-42	SEPT83-42	SEPT84-42
44	1.1429	1.128	SEPT82-44	SEPT83-44	SEPT84-44
48	1.2468	1.232	SEPT82-48	SEPT83-48	SEPT84-48
50	1.2987	1.284	SEPT82-50	SEPT83-50	SEPT84-50
54	1.4026	1.388	SEPT82-54	SEPT83-54	SEPT84-54
60	1.5584	1.544	SEPT82-60	SEPT83-60	SEPT84-60
72	1.8701	1.856	SEPT82-72	SEPT83-72	SEPT84-72
75	1.9481	1.934	SEPT82-75	SEPT83-75	SEPT84-75
80	2.0779	2.063	SEPT82-80	SEPT83-80	SEPT84-80
84	2.1818	2.167	SEPT82-84	SEPT83-84	SEPT84-84
88	2.2857	2.271	SEPT82-88	SEPT83-88	SEPT84-88
90	2.3377	2.323	SEPT82-90	SEPT83-90	SEPT84-90
96	2.4935	2.479	SEPT82-96	SEPT83-96	SEPT84-96
98	2.5455	2.531	SEPT82-98	SEPT83-98	SEPT84-98
100	2.5974	2.583	SEPT82-100	SEPT83-100	SEPT84-100
120	3.1169	3.102	SEPT82-120	SEPT83-120	SEPT84-120

MATERIAL:
ALUMINUM
CHROMIC ACID ANODIZED
"BLACK"

SPROCKETS .750 P.D. and
SMALLER ARE FOR IDLER USE
ONLY

TIMING BELTS

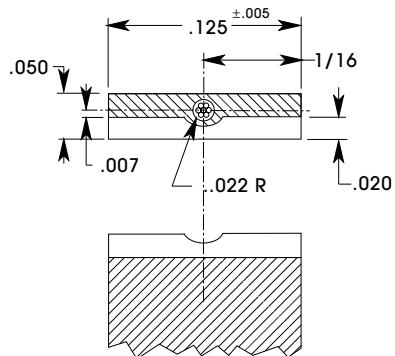
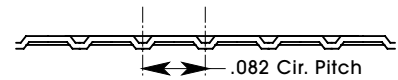


NO. OF PITCHES	LENGTH	CATALOG NUMBER
24	1.958	SEBT8-24
44	3.590	SEBT8-44
45	3.672	SEBT8-45
48	3.916	SEBT8-48
51	4.161	SEBT8-51
52	4.243	SEBT8-52
53	4.324	SEBT8-53
60	4.896	SEBT8-60
64	5.222	SEBT8-64
66	5.385	SEBT8-66
67	5.467	SEBT8-67
72	5.875	SEBT8-72
77	6.283	SEBT8-77
88	7.180	SEBT8-88
96	7.833	SEBT8-96
98	7.996	SEBT8-98
102	8.323	SEBT8-102
109	8.894	SEBT8-109
110	8.976	SEBT8-110
114	9.302	SEBT8-114
120	9.792	SEBT8-120
123	10.036	SEBT8-123

NO. OF PITCHES	LENGTH	CATALOG NUMBER
126	10.281	SEBT8-126
132	10.771	SEBT8-132
139	11.342	SEBT8-139
140	11.424	SEBT8-140
150	12.240	SEBT8-150
162	13.219	SEBT8-162
175	14.280	SEBT8-175
184	15.014	SEBT8-184
193	15.748	SEBT8-193
214	17.462	SEBT8-214
228	18.604	SEBT8-228
245	19.992	SEBT8-245
249	20.318	SEBT8-249
251	20.481	SEBT8-251
264	21.542	SEBT8-264

NOT SPLICED

5 FT LENGTH	SEBT8-5FT
10 FT LENGTH	SEBT8-10FT
25 FT LENGTH	SEBT8-25FT
50 FT LENGTH	SEBT8-50FT
100 FT LENGTH	SEBT8-100FT



- Weight .05 oz/ft
- .018 Dia. St. Steel Cable
- Polyurethane (Black)
- Hardness - 90A Duro.
- Tensile Strength 20lbs
- Temp. Range +180°F to -65F
- 1800 RPM Max

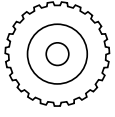
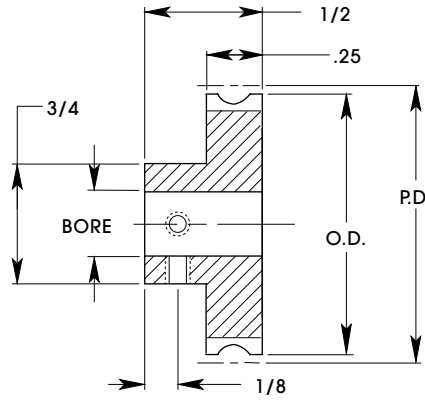
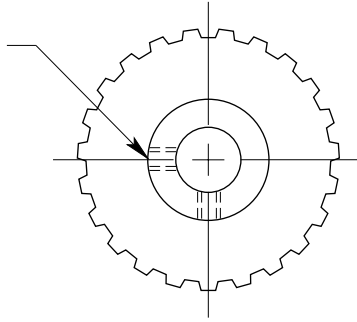
TIMING PULLEYS

1/5 Pitch (.200 Cir. Pitch) XL

Hub Style

Bore 1/4 • 3/8 • 1/2

2 Set Screws
@ 90°



NO. OF TEETH	PITCH DIAMETER	OUTSIDE DIAMETER +.003 -.000	CATALOG NUMBER / BORE		
			.250	.375	.500
10	.6366	.616	SEPT024-10	---	---
11	.7003	.680	SEPT024-11	SEPT026-11	---
12	.7639	.743	SEPT024-12	SEPT026-12	---
14	.8913	.871	SEPT024-14	SEPT026-14	SEPT028-14
15	.9549	.934	SEPT024-15	SEPT026-15	SEPT028-15
16	1.0186	.998	SEPT024-16	SEPT026-16	SEPT028-16
17	1.0823	1.062	SEPT024-17	SEPT026-17	SEPT028-17
18	1.1459	1.125	SEPT024-18	SEPT026-18	SEPT028-18
19	1.2096	1.189	SEPT024-19	SEPT026-19	SEPT028-19
20	1.2732	1.253	SEPT024-20	SEPT026-20	SEPT028-20
21	1.3369	1.316	SEPT024-21	SEPT026-21	SEPT028-21
22	1.4006	1.380	SEPT024-22	SEPT026-22	SEPT028-22
23	1.4642	1.444	SEPT024-23	SEPT026-23	SEPT028-23
24	1.5279	1.507	SEPT024-24	SEPT026-24	SEPT028-24
25	1.5916	1.571	SEPT024-25	SEPT026-25	SEPT028-25
27	1.7189	1.698	SEPT024-27	SEPT026-27	SEPT028-27
28	1.7825	1.762	SEPT024-28	SEPT026-28	SEPT028-28
29	1.8462	1.826	SEPT024-29	SEPT026-29	SEPT028-29
30	1.9099	1.889	SEPT024-30	SEPT026-30	SEPT028-30
32	2.0372	2.017	SEPT024-32	SEPT026-32	SEPT028-32
36	2.2918	2.271	SEPT024-36	SEPT026-36	SEPT028-36
40	2.5465	2.526	SEPT024-40	SEPT026-40	SEPT028-40
42	2.6738	2.653	SEPT024-42	SEPT026-42	SEPT028-42
44	2.8011	2.781	SEPT024-44	SEPT026-44	SEPT028-44
45	2.8648	2.844	SEPT024-45	SEPT026-45	SEPT028-45
48	3.0558	3.035	SEPT024-48	SEPT026-48	SEPT028-48
50	3.1831	3.163	SEPT024-50	SEPT026-50	SEPT028-50
60	3.8197	3.799	SEPT024-60	SEPT026-60	SEPT028-60
72	4.5837	4.563	SEPT024-72	SEPT026-72	SEPT028-72

MATERIAL :
ALUMINUM
CHROMIC ACID ANODIZED
"RED"

SPROCKETS .750 P.D. AND
SMALLER ARE FOR IDLER USE
ONLY

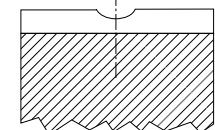
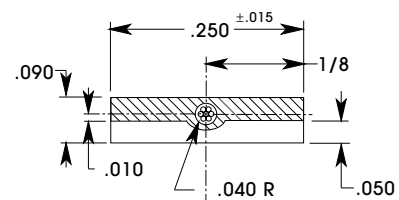
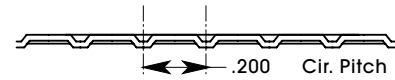
TIMING BELTS

NO. OF PITCHES	LENGTH	CATALOG NUMBER
10	2.000	SEBT02-10
15	3.000	SEBT02-15
20	4.000	SEBT02-20
25	5.000	SEBT02-25
30	6.000	SEBT02-30
35	7.000	SEBT02-35
40	8.000	SEBT02-40
45	9.000	SEBT02-45
50	10.000	SEBT02-50
55	11.000	SEBT02-55
60	12.000	SEBT02-60
65	13.000	SEBT02-65
70	14.000	SEBT02-70
80	16.000	SEBT02-80
85	17.000	SEBT02-85
90	18.000	SEBT02-90
95	19.000	SEBT02-95
100	20.000	SEBT02-100
105	21.000	SEBT02-105
110	22.000	SEBT02-110
115	23.000	SEBT02-115
120	24.000	SEBT02-120

NO. OF PITCHES	LENGTH	CATALOG NUMBER
125	25.000	SEBT02-125
130	26.000	SEBT02-130
135	27.000	SEBT02-135
140	28.000	SEBT02-140
145	29.000	SEBT02-145
150	30.000	SEBT02-150
155	31.000	SEBT02-155
160	32.000	SEBT02-160
175	35.000	SEBT02-175
180	36.000	SEBT02-180
185	37.000	SEBT02-185
190	38.000	SEBT02-190
200	40.000	SEBT02-200
210	42.000	SEBT02-210

NOT SPLICED

5 FT LENGTH	SEBT02-5FT
10 FT LENGTH	SEBT02-10FT
25 FT LENGTH	SEBT02-25FT
50 FT LENGTH	SEBT02-50FT
100 FT LENGTH	SEBT02-100FT



- Weight .10 oz/ft
- 1/32" Dia. St. Steel Cable
- Polyurethane (Blue)
- Hardness - 90A Duro.
- Tensile Strength 50 lbs
- Temp. Range +180° F to -65° F
- 1800 RPM Max

TIMING PULLEYS

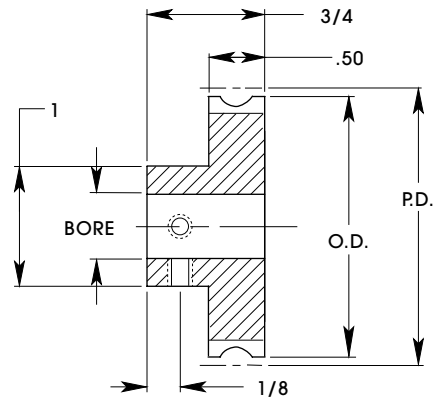
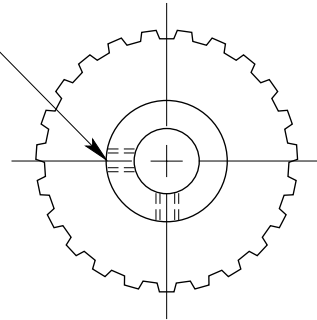
3/8 Pitch (.375 Cir. Pitch)

Hub Style

Bore 1/4 • 3/8 • 1/2



2 Set Screws
@ 90°



NO. OF TEETH	PITCH DIAMETER	OUTSIDE DIAMETER <small>+0.003 -0.000</small>	CATALOG NUMBER / BORE <small>+0.002 -0.000</small>		
			.250	.375	.500
10	1.1937	1.164	SEPT734-10	SEPT736-10	SEPT738-10
11	1.3130	1.284	SEPT734-11	SEPT736-11	SEPT738-11
12	1.4324	1.403	SEPT734-12	SEPT736-12	SEPT738-12
13	1.5518	1.522	SEPT734-13	SEPT736-13	SEPT738-13
14	1.6711	1.642	SEPT734-14	SEPT736-14	SEPT738-14
15	1.7905	1.761	SEPT734-15	SEPT736-15	SEPT738-15
16	1.9099	1.880	SEPT734-16	SEPT736-16	SEPT738-16
17	2.0292	2.000	SEPT734-17	SEPT736-17	SEPT738-17
18	2.1486	2.119	SEPT734-18	SEPT736-18	SEPT738-18
19	2.2680	2.239	SEPT734-19	SEPT736-19	SEPT738-19
20	2.3873	2.358	SEPT734-20	SEPT736-20	SEPT738-20
21	2.5067	2.477	SEPT734-21	SEPT736-21	SEPT738-21
22	2.6261	2.597	SEPT734-22	SEPT736-22	SEPT738-22
24	2.8648	2.835	SEPT734-24	SEPT736-24	SEPT738-24
26	3.1035	3.074	SEPT734-26	SEPT736-26	SEPT738-26
28	3.3422	3.313	SEPT734-28	SEPT736-28	SEPT738-28
30	3.5810	3.552	SEPT734-30	SEPT736-30	SEPT738-30
32	3.8197	3.790	SEPT734-32	SEPT736-32	SEPT738-32
36	4.2972	4.268	SEPT734-36	SEPT736-36	SEPT738-36

MATERIAL :
ALUMINUM
CHROMIC ACID ANODIZED
"BLUE"

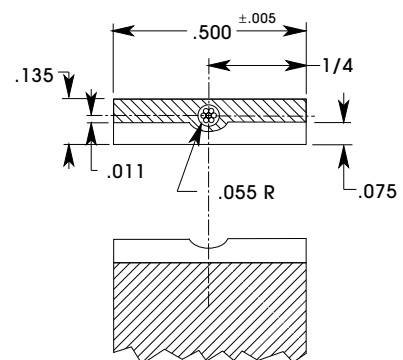
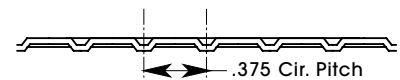
TIMING BELTS

NO. OF PITCHES	LENGTH	CATALOG NUMBER
20	7.500	SEBT73-20
22	8.250	SEBT73-22
24	9.000	SEBT73-24
26	9.750	SEBT73-26
28	10.500	SEBT73-28
30	11.250	SEBT73-30
33	12.375	SEBT73-33
36	13.500	SEBT73-36
40	15.000	SEBT73-40
45	16.875	SEBT73-45
50	18.750	SEBT73-50
56	21.000	SEBT73-56
60	22.500	SEBT73-60
64	24.000	SEBT73-64
68	25.500	SEBT73-68
72	27.000	SEBT73-72
80	30.000	SEBT73-80
86	32.250	SEBT73-86
92	34.500	SEBT73-92
98	36.750	SEBT73-98
100	37.500	SEBT73-100
104	39.000	SEBT73-104

NO. OF PITCHES	LENGTH	CATALOG NUMBER
108	40.500	SEBT738-108
110	42.000	SEBT738-110
116	43.500	SEBT738-116
120	45.000	SEBT738-120
124	46.500	SEBT738-124
128	48.000	SEBT738-128
132	49.500	SEBT738-132
136	51.000	SEBT738-136
140	52.500	SEBT738-140
144	54.000	SEBT738-144
148	55.500	SEBT738-148
152	57.000	SEBT738-152
156	58.500	SEBT738-156
160	60.000	SEBT738-160
176	66.000	SEBT738-176

NOT SPLICED

5 FT LENGTH	SEBT73-5FT
10 FT LENGTH	SEBT73-10FT
25 FT LENGTH	SEBT73-25FT
50 FT LENGTH	SEBT73-50FT
100 FT LENGTH	SEBT73-100FT



- Weight .41 oz/ft
- 3/64 Dia. St. Steel Cable
- Polyurethane (Blue)
- Hardness - 90A Duro.
- Tensile Strength 125 lbs
- Temp. Range +180°F to -65F
- 1800 RPM Max

BELT/CHAIN SERIES	CATALOG NUMBER
SEFCG 32	SEFCG 32-SPK
SEFCG 24	SEFCG 24-SPK
SEFBG 32	SEFBG 32-SPK
SEFBG 24	SEFBG 24-SPK
SEFCC 14	SEFCC 14-SPK
SEFCC 24	SEFCC 24-SPK
SEFCC3/SEFBC3/SEFCD3	SERCC3-SPK
SEBT 8	SEBT 8-SPK
SEBT 02	SEBT 02-SPK
SEBT 73	SEBT 73-SPK

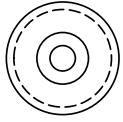
Kits include Cable Cutter, Crimp Tool and Bushing Crimp Block for that specific Belt/Chain series (instructions included)

GROOVED PULLEYS

3/32 • 1/16 Diameter Belts

Pin Hub Style

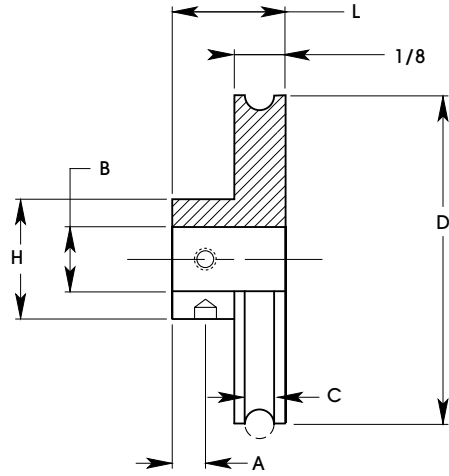
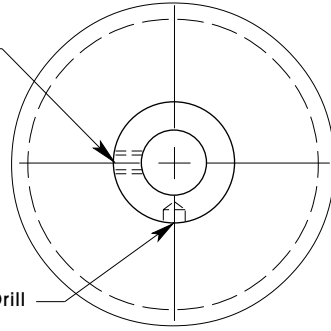
Bore 1/8 • 3/16 • 1/4



MATERIAL:
303 STAINLESS STEEL

Set Screws
Supplied

Spot Drill



A	H	L	+.0005 B -.0000	D	GROOVE WIDTH "C"	
					3/32	1/16
3/32	5/16	5/16	.1248 (1/8)	.500	SE2GP-09-1	SE2GP-06-1
				.750	SE2GP-09-2	SE2GP-06-2
				1.000	SE2GP-09-3	SE2GP-06-3
				1.500	SE2GP-09-4	SE2GP-06-4
				2.000	SE2GP-09-5	SE2GP-06-5
7/64	3/8	11/32	.1873 (3/16)	.500	SE2GP-09-6	SE2GP-06-6
				.750	SE2GP-09-7	SE2GP-06-7
				1.000	SE2GP-09-8	SE2GP-06-8
				1.500	SE2GP-09-9	SE2GP-06-9
				2.000	SE2GP-09-10	SE2GP-06-10
1/8	1/2	3/8	.2498 (1/4)	1.000	SE2GP-09-11	SE2GP-06-11
				1.500	SE2GP-09-12	SE2GP-06-12
				2.000	SE2GP-09-13	SE2GP-06-13
				2.500	SE2GP-09-14	SE2GP-06-14
				3.000	SE2GP-09-15	SE2GP-06-15

GROOVED PULLEYS

3/16 • 1/4 Diameter Belts

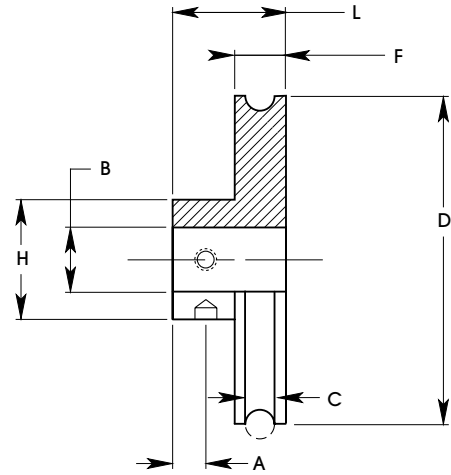
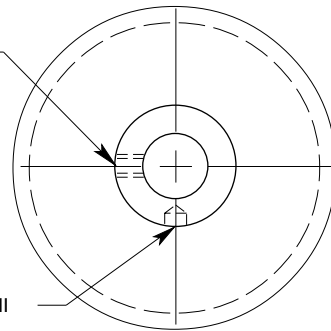
Pin Hub Style

Bore 5/16 • 3/8 • 1/2

Material :
303 Stainless Steel

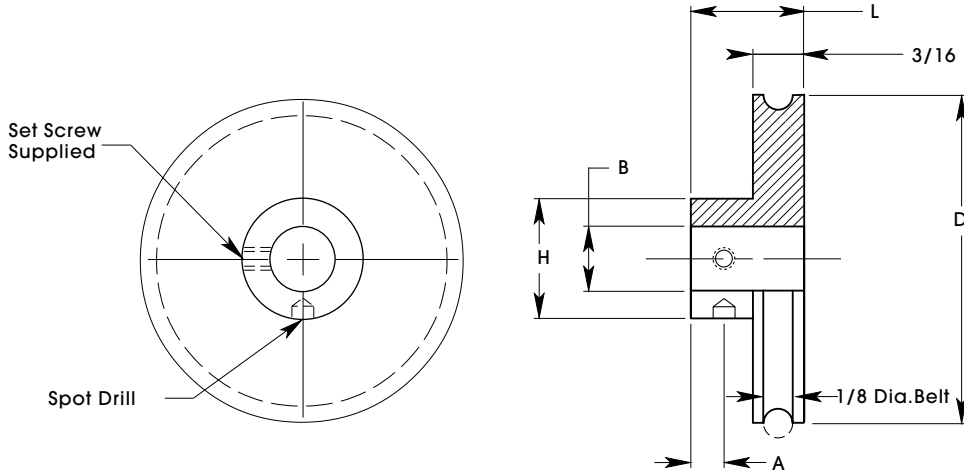
Set Screw
Supplied

Spot Drill

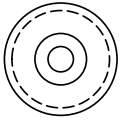


F	A	H	L	+.0005 B -.0000	D	GROOVE C	CAT. NUMBER
1/4	3/16	3/4	5/8	.3123 (5/16)	1.000	3/16	SE4GP-1
					1.500		SE4GP-2
					2.000		SE4GP-3
					3.000		SE4GP-4
1/4	1/4	3/4	3/4	.3748 (3/8)	1.000	3/16	SE4GP-5
					1.500		SE4GP-6
					2.000		SE4GP-7
					3.000		SE4GP-8
3/8	1/4	3/4	7/8	.3748 (3/8)	1.000	1/4	SE5GP-9
					1.500		SE5GP-10
					2.000		SE5GP-11
					3.000		SE5GP-12
4.000	SE5GP-13						
3/8	1/4	1	7/8	.4998 (1/2)	1.000	1/4	SE5GP-14
					1.500		SE5GP-15
					2.000		SE5GP-16
					3.000		SE5GP-17
4.000	SE4GP-18						

GROOVED PULLEYS

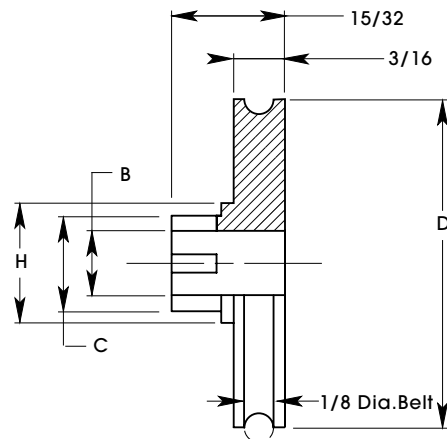


1/8 Diameter Belt
Pin Hub Style
Bore 1/8 • 3/16 • 1/4 • 5/16



A	H	L	B ^{+0.0005} -0.0000	D	CAT. NUMBER
.09	5/16	3/8	.1248 (1/8)	.500	SE3GP-1
				.750	SE3GP-2
				1.000	SE3GP-3
				1.500	SE3GP-4
				2.000	SE3GP-5
.11	3/8	13/32	.1873 (3/16)	.500	SE3GP-6
				.750	SE3GP-7
				1.000	SE3GP-8
				1.500	SE3GP-9
				2.000	SE3GP-10
.12	1/2	7/16	.2498 (1/4)	.500	SE3GP-11
				.750	SE3GP-12
				1.000	SE3GP-13
				1.500	SE3GP-14
				2.000	SE3GP-15
2.500	SE3GP-16				
.12	1/2	7/16	.3123 (5/16)	1.000	SE3GP-17
				2.000	SE3GP-18
				3.000	SE3GP-19
				4.000	SE3GP-20

Material:
303 Stainless Steel



GROOVED PULLEY

1/8 Diameter Pulley
Clamp Style
Bore 1/8 • 3/16 • 1/4 • 5/16

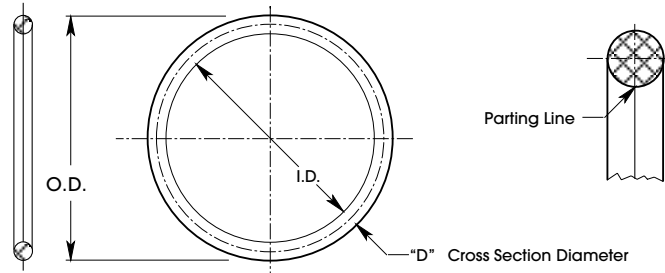
H ^{+0.000} -0.003	C	B ^{+0.0005} -0.0000	D	CAT. NUMBER
.188	1/4	.1248 (1/8)	.500	SE3GPC-1
			.750	SE3GPC-2
			1.000	SE3GPC-3
			1.500	SE3GPC-4
			2.000	SE3GPC-5
.250	5/16	.1873 (3/16)	.500	SE3GPC-6
			.750	SE3GPC-7
			1.000	SE3GPC-8
			1.500	SE3GPC-9
			2.000	SE3GPC-10
.312	3/8	.2498 (1/4)	.500	SE3GPC-11
			.750	SE3GPC-12
			1.000	SE3GPC-13
			1.500	SE3GPC-14
			2.000	SE3GPC-15
			2.500	SE3GPC-16
			3.000	SE3GPC-17

Material:
303 Stainless Steel

"O" RING / PULLEY BELTS

3/64 To 3/16 Diameter Belts

Buna - N 70A Durometer



NOMINAL SIZES			ACTUAL SIZES			
D	I.D.	O.D.	D	I.D.	TOL	CAT NUMBER
3/64	1/32	7/64	.040	.029	±.004	SE07STS-A01
	3/64	9/64	.050 ±.003	.042		SE07STS-A02
1/16	1/16	11/64	.060 ±.003	.056	±.004	SE07STS-B03
1/16	5/64	7/32	.070 ±.003	.070	±.005	SE07STS-B04
	3/32	15/64		.101		SE07STS-B05
	1/8	1/4		.114		SE07STS-B06
	5/32	9/32		.145		SE07STS-B07
	3/16	5/16		.176		SE07STS-B08
	7/32	11/32		.208		SE07STS-B09
	1/4	3/8		.239		SE07STS-B10
	5/16	7/16		.301		SE07STS-B11
	3/8	1/2		.364		SE07STS-B12
	7/16	9/16		.426		SE07STS-B13
	1/2	5/8		.489		SE07STS-B14
	9/16	11/16		.551		SE07STS-B15
	5/8	3/4		.614		SE07STS-B16
	11/16	13/16		.676		SE07STS-B17
	3/4	7/8		.739		SE07STS-B18
	13/16	15/16		.801		SE07STS-B19
	7/8	1		.864		SE07STS-B20
	15/16	1-1/16		.962		SE07STS-B21
	1	1-1/8		.989		SE07STS-B22
	1-1/8	1-1/4		1.114		SE07STS-B23
1-3/16	1-5/16	1.176	SE07STS-B24			
1-1/4	1-3/8	1.239	SE07STS-B25			
1-3/8	1-1/2	1.364	SE07STS-B26			
1-1/2	1-5/8	1.489	SE07STS-B27			
1-5/8	1-3/4	1.614	SE07STS-B28			
1-3/4	1-7/8	1.739	SE07STS-B29			
2	2-1/8	1.989	SE07STS-B30			
2-1/8	2-1/4	2.114	SE07STS-B31			
2-1/4	2-3/8	2.239	SE07STS-B32			
2-3/8	2-1/2	2.364	SE07STS-B33			
2-1/2	2-5/8	2.489	SE07STS-B34			
2-5/8	2-3/4	2.614	SE07STS-B35			
2-3/4	2-7/8	2.739	SE07STS-B36			
2-7/8	3	2.864	SE07STS-B37			
3	3-1/8	2.989	SE07STS-B38			
3-1/4	3-3/8	3.239	SE07STS-B39			
3-1/2	3-5/8	3.489	SE07STS-B40			
3-3/4	3-7/8	3.739	SE07STS-B41			
4	4-1/8	3.989	SE07STS-B42			
3/32	3/8	9/16	.103 ±.003	.362	±.005	SE07STS-C10
	7/16	5/8		.424		SE07STS-C11
	1/2	11/16		.487		SE07STS-C12
	9/16	3/4		.549		SE07STS-C13
	11/16	7/8		.674		SE07STS-C14
	13/16	1		.799		SE07STS-C15
	7/8	1-1/16		.862		SE07STS-C16
	15/16	1-1/8		.924		SE07STS-C17
	1-1/16	1-1/4		1.049		SE07STS-C18
	1-1/8	1-5/16		1.112		SE07STS-C19
	1-3/16	1-3/8		1.174		SE07STS-C20
	1-1/4	1-7/16		1.237		SE07STS-C21
	1-5/16	1-1/2		1.299		SE07STS-C22
	1-3/8	1-9/16		1.362		SE07STS-C23
	1-1/2	1-11/16		1.487		SE07STS-C24
	1-9/16	1-3/4		1.549		SE07STS-C25
	1-5/8	1-13/16		1.612		SE07STS-C26
	1-3/4	1-15/16		1.737		SE07STS-C27
	1-7/8	2-1/16		1.862		SE07STS-C28
	2-1/4	2-7/16		2.237		SE07STS-C29
2-5/16	2-1/2	2.300	SE07STS-C30			
2-1/2	2-11/16	2.487	SE07STS-C31			
2-5/8	2-13/16	2.612	SE07STS-C32			
2-11/16	2-7/8	2.675	SE07STS-C33			
2-3/4	2-15/16	2.737	SE07STS-C34			
2-13/16	3	2.800	SE07STS-C35			
2-7/8	3-1/16	2.862	SE07STS-C36			
3	3-3/16	2.987	SE07STS-C37			

NOMINAL SIZES			ACTUAL SIZES			
D	I.D.	O.D.	D	I.D.	TOL	CAT NUMBER
1/8	3/4	1	.139 ±.004	.734	±.006	SE07STS-D10
	13/16	1-1/16		.796		SE07STS-D11
	7/8	1-1/8		.859		SE07STS-D12
	1	1-1/4		.984		SE07STS-D13
	1-1/16	1-5/16		1.046		SE07STS-D14
	1-3/16	1-7/16		1.171		SE07STS-D15
	1-1/4	1-1/2		1.234		SE07STS-D16
	1-5/16	1-9/16		1.296		SE07STS-D17
	1-3/8	1-5/8		1.359		SE07STS-D18
	1-7/16	1-11/16		1.421		SE07STS-D19
	1-1/2	1-3/4		1.484		SE07STS-D20
	1-5/8	1-7/8		1.609		SE07STS-D21
	1-3/4	2		1.737		SE07STS-D22
	1-7/8	2-1/8		1.859		SE07STS-D23
	2	2-1/4		1.984		SE07STS-D24
	2-1/8	2-3/8		2.109		SE07STS-D25
	2-1/4	2-1/2		2.234		SE07STS-D26
	2-3/8	2-5/8		2.359		SE07STS-D27
	2-1/2	2-3/4		2.484		SE07STS-D28
	2-5/8	2-7/8		2.609		SE07STS-D29
2-3/4	3	2.734	SE07STS-D30			
2-7/8	3-1/8	2.859	SE07STS-D31			
3	3-1/4	2.984	SE07STS-D32			
3-1/8	3-3/8	3.109	SE07STS-D33			
3-1/4	3-1/2	3.234	SE07STS-D34			
3-3/8	3-5/8	3.359	SE07STS-D35			
3-1/2	3-3/4	3.484	SE07STS-D36			
3-5/8	3-7/8	3.609	SE07STS-D37			
3-3/4	4	3.734	SE07STS-D38			
3-7/8	4-1/8	3.859	SE07STS-D39			
4	4-1/4	3.984	SE07STS-D40			
4-1/4	4-1/2	4.234	SE07STS-D41			
4-3/8	4-5/8	4.359	SE07STS-D42			
4-1/2	4-3/4	4.484	SE07STS-D43			
4-3/4	5	4.734	SE07STS-D44			
4-7/8	5-1/8	4.859	SE07STS-D45			
5	5-1/4	4.984	SE07STS-D46			
5-1/4	5-1/2	5.234	SE07STS-D47			
5-1/2	5-3/4	5.484	SE07STS-D48			
5-3/4	6	5.734	SE07STS-D49			
6	6-1/4	5.984	SE07STS-D50			
6-1/2	6-3/4	6.484	SE07STS-D51			
7	7-1/4	6.984	SE07STS-D52			
7-1/2	7-3/4	7.484	SE07STS-D53			
7-3/4	8	7.734	SE07STS-D54			
8	8-1/4	7.984	SE07STS-D55			
8-1/2	8-3/4	8.484	SE07STS-D56			
9	9-1/4	8.984	SE07STS-D57			
9-1/4	9-1/2	9.234	SE07STS-D58			
9-1/2	9-3/4	9.484	SE07STS-D59			
10	10-1/4	9.984	SE07STS-D60			
10-1/2	10-3/4	10.484	SE07STS-D61			
11	11-1/4	10.984	SE07STS-D62			
11-1/2	11-3/4	11.484	SE07STS-D63			
12	12-1/4	11.984	SE07STS-D64			
13	13-1/4	12.984	SE07STS-D65			
14	14-1/4	13.984	SE07STS-D66			
15	15-1/4	14.984	SE07STS-D67			
3/16	1-1/2	1-7/8	.210 ±.005	1.475	±.010	SE07STS-E25
	1-5/8	2		1.600		SE07STS-E26
	1-3/4	2-1/8		1.725		SE07STS-E27
	2	2-3/8		1.975		SE07STS-E28
	2-1/8	2-1/2		2.100		SE07STS-E29
	2-1/4	2-5/8		2.225		SE07STS-E30
	2-3/8	2-3/4		2.350		SE07STS-E31
	2-1/2	2-7/8		2.475		SE07STS-E32
	2-5/8	3		2.600		SE07STS-E33
	2-3/4	3-1/8		2.750		SE07STS-E34
	3	3-3/8		2.975		SE07STS-E35
	3-1/4	3-5/8		3.225		SE07STS-E36
	3-1/2	3-7/8		3.475		SE07STS-E37
	3-5/8	4		3.600		SE07STS-E38
	3-3/4	4-1/8		3.725		SE07STS-E39
	4	4-3/8		3.975		SE07STS-E40
	4-1/4	4-5/8		4.225		SE07STS-E41
	4-1/2	4-7/8		4.475		SE07STS-E42

Urethane high speed precision positive drive belts

Urethane tooth belts are ideal for high speed, light to moderate loads such as encountered in instrumentation and business machine applications where smoothness, quietness and very high reliability are essential. Unlike rubber, urethane belts will not abrade, causing particles to enter the machine. They are also non-marking and, therefore, well suited for use as paper feeds. Highly flexible and abrasion resistant, urethane belts are virtually immune to deterioration caused by oil, cleaning chemicals, grease and ozone. Maximum dimensional stability is insured by integrating a continuous loop, high tensile strength, balanced polyester cord into the belt during manufacture. In addition to maintaining timing accuracy at high speeds, the superior uniform strength of urethane belts assures correct tracking which reduces side guide friction. Urethane belts are translucent to permit visual inspection of cord placement and are color coded to designate pitch of belt.

SPECIAL APPLICATION BELTS

(Call for details)

Highest strength/lower stretch: Urethane belts made with fiberglass cord instead of polyester are virtually stretchless and have a break strength of 860 lbs. per inch of belt width.

Semi-elastic/high strength: Nylon cord urethane belts are designed for moderate load applications where the shock absorbing elasticity of nylon provides an advantage.

SPECIFICATIONS

Material-Teeth and Body:	Urethane
	Hardness Shore "A" 80-85
Material-Cord:	Polyester balanced construction 50 turns per inch of width
Pulley Center Distance	Center distance tolerance $+.020$ " Customer should allow for $.020$ " pulley adjustment For closer tolerance specify glass cord
Width:	$1/8$ inch wide to $3/8$ inch wide with a tolerance of $+.020$ inch
Belt Break Strength:	$.0800$ " Standard: 520 lbs. per each inch $.0816$ " of width $.200$ " Standard: 1475 lbs. per inch of width
Tooth shear Strength:	Approximately 15% of Belt Break Strength per tooth
Temperature Resistance:	Continuous: 0°F to 180°F Intermittent: up to 250°F

Coefficient of friction and hardness: Both factors can be raised or lowered by special formulation of the urethane compound.

Color Coding: Urethane belts can be manufactured in a variety of colors to simplify inventory, assembly and servicing.

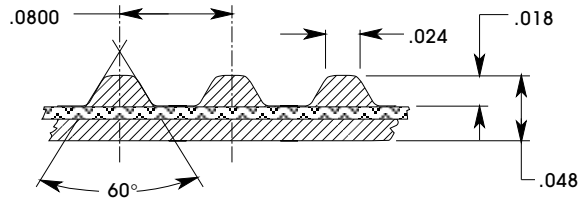
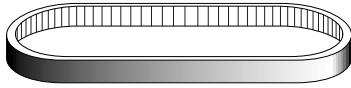
Special Designs: Special belt pitches, tooth profiles and other belt designs can be produced for OEM uses.

URETHANE BELTS

High Speed Precision Positive Drive

.0800" Pitch

1/8 • 3/16 • 1/4 • 5/16 • 3/8 inch Wide



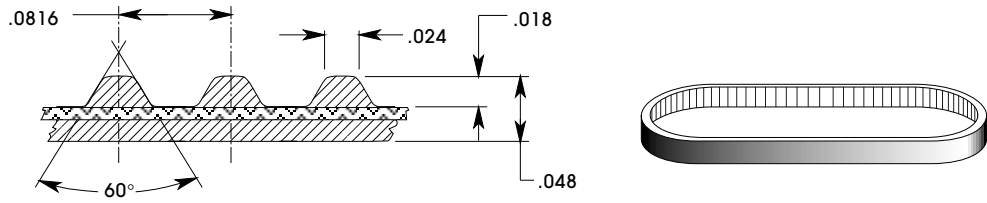
Special Widths and Number of Grooves Available

NO. OF GROOVES	PITCH LENGTH	CATALOG NUMBER / BELT WIDTH ±.020				
		1/8	3/16	1/4	5/16	3/8
30	2.400	TB80-030-12	TB80-030-18	TB80-030-25	TB80-030-31	TB80-030-37
35	2.800	TB80-035-12	TB80-035-18	TB80-035-25	TB80-035-31	TB80-035-37
40	3.200	TB80-040-12	TB80-040-18	TB80-040-25	TB80-040-31	TB80-040-37
45	3.600	TB80-045-12	TB80-045-18	TB80-045-25	TB80-045-31	TB80-045-37
50	4.000	TB80-050-12	TB80-050-18	TB80-050-25	TB80-050-31	TB80-050-37
55	4.400	TB80-055-12	TB80-055-18	TB80-055-25	TB80-055-31	TB80-055-37
60	4.800	TB80-060-12	TB80-060-18	TB80-060-25	TB80-060-31	TB80-060-37
65	5.200	TB80-065-12	TB80-065-18	TB80-065-25	TB80-065-31	TB80-065-37
70	5.600	TB80-070-12	TB80-070-18	TB80-070-25	TB80-070-31	TB80-070-37
75	6.000	TB80-075-12	TB80-075-18	TB80-075-25	TB80-075-31	TB80-075-37
80	6.400	TB80-080-12	TB80-080-18	TB80-080-25	TB80-080-31	TB80-080-37
85	6.800	TB80-085-12	TB80-085-18	TB80-085-25	TB80-085-31	TB80-085-37
90	7.200	TB80-090-12	TB80-090-18	TB80-090-25	TB80-090-31	TB80-090-37
95	7.600	TB80-095-12	TB80-095-18	TB80-095-25	TB80-095-31	TB80-095-37
100	8.000	TB80-100-12	TB80-100-18	TB80-100-25	TB80-100-31	TB80-100-37
105	8.400	TB80-105-12	TB80-105-18	TB80-105-25	TB80-105-31	TB80-105-37
110	8.800	TB80-110-12	TB80-110-18	TB80-110-25	TB80-110-31	TB80-110-37
115	9.200	TB80-115-12	TB80-115-18	TB80-115-25	TB80-115-31	TB80-115-37
120	9.600	TB80-120-12	TB80-120-18	TB80-120-25	TB80-120-31	TB80-120-37
125	10.000	TB80-125-12	TB80-125-18	TB80-125-25	TB80-125-31	TB80-125-37
130	10.400	TB80-130-12	TB80-130-18	TB80-130-25	TB80-130-31	TB80-130-37
135	10.800	TB80-135-12	TB80-135-18	TB80-135-25	TB80-135-31	TB80-135-37
140	11.200	TB80-140-12	TB80-140-18	TB80-140-25	TB80-140-31	TB80-140-37
145	11.600	TB80-145-12	TB80-145-18	TB80-145-25	TB80-145-31	TB80-145-37
150	12.000	TB80-150-12	TB80-150-18	TB80-150-25	TB80-150-31	TB80-150-37
155	12.400	TB80-155-12	TB80-155-18	TB80-155-25	TB80-155-31	TB80-155-37
160	12.800	TB80-160-12	TB80-160-18	TB80-160-25	TB80-160-31	TB80-160-37
165	13.200	TB80-165-12	TB80-165-18	TB80-165-25	TB80-165-31	TB80-165-37
170	13.600	TB80-170-12	TB80-170-18	TB80-170-25	TB80-170-31	TB80-170-37
175	14.000	TB80-175-12	TB80-175-18	TB80-175-25	TB80-175-31	TB80-175-37
180	14.400	TB80-180-12	TB80-180-18	TB80-180-25	TB80-180-31	TB80-180-37
185	14.800	TB80-185-12	TB80-185-18	TB80-185-25	TB80-185-31	TB80-185-37
190	15.200	TB80-190-12	TB80-190-18	TB80-190-25	TB80-190-31	TB80-190-37
195	15.600	TB80-195-12	TB80-195-18	TB80-195-25	TB80-195-31	TB80-195-37
200	16.000	TB80-200-12	TB80-200-18	TB80-200-25	TB80-200-31	TB80-200-37
205	16.400	TB80-205-12	TB80-205-18	TB80-205-25	TB80-205-31	TB80-205-37
210	16.800	TB80-210-12	TB80-210-18	TB80-210-25	TB80-210-31	TB80-210-37
215	17.200	TB80-215-12	TB80-215-18	TB80-215-25	TB80-215-31	TB80-215-37
220	17.600	TB80-220-12	TB80-220-18	TB80-220-25	TB80-220-31	TB80-220-37
225	18.000	TB80-225-12	TB80-225-18	TB80-225-25	TB80-225-31	TB80-225-37
230	18.400	TB80-230-12	TB80-230-18	TB80-230-25	TB80-230-31	TB80-230-37
235	18.800	TB80-235-12	TB80-235-18	TB80-235-25	TB80-235-31	TB80-235-37
240	19.200	TB80-240-12	TB80-240-18	TB80-240-25	TB80-240-31	TB80-240-37
245	19.600	TB80-245-12	TB80-245-18	TB80-245-25	TB80-245-31	TB80-245-37
250	20.000	TB80-250-12	TB80-250-18	TB80-250-25	TB80-250-31	TB80-250-37
255	20.400	TB80-255-12	TB80-255-18	TB80-255-25	TB80-255-31	TB80-255-37
260	20.800	TB80-260-12	TB80-260-18	TB80-260-25	TB80-260-31	TB80-260-37
265	21.200	TB80-265-12	TB80-265-18	TB80-265-25	TB80-265-31	TB80-265-37
270	21.600	TB80-270-12	TB80-270-18	TB80-270-25	TB80-270-31	TB80-270-37
275	22.000	TB80-275-12	TB80-275-18	TB80-275-25	TB80-275-31	TB80-275-37
280	22.400	TB80-280-12	TB80-280-18	TB80-280-25	TB80-280-31	TB80-280-37
285	22.800	TB80-285-12	TB80-285-18	TB80-285-25	TB80-285-31	TB80-285-37
290	23.200	TB80-290-12	TB80-290-18	TB80-290-25	TB80-290-31	TB80-290-37
295	23.600	TB80-295-12	TB80-295-18	TB80-295-25	TB80-295-31	TB80-295-37
310	24.800	TB80-310-12	TB80-310-18	TB80-310-25	TB80-310-31	TB80-310-37
320	25.600	TB80-320-12	TB80-320-18	TB80-320-25	TB80-320-31	TB80-320-37
330	26.400	TB80-330-12	TB80-330-18	TB80-330-25	TB80-330-31	TB80-330-37
340	27.200	TB80-340-12	TB80-340-18	TB80-340-25	TB80-340-31	TB80-340-37
350	28.000	TB80-350-12	TB80-350-18	TB80-350-25	TB80-350-31	TB80-350-37
360	28.800	TB80-360-12	TB80-360-18	TB80-360-25	TB80-360-31	TB80-360-37
370	29.600	TB80-370-12	TB80-370-18	TB80-370-25	TB80-370-31	TB80-370-37
380	30.400	TB80-380-12	TB80-380-18	TB80-380-25	TB80-380-31	TB80-380-37
390	31.200	TB80-390-12	TB80-390-18	TB80-390-25	TB80-390-31	TB80-390-37
400	32.000	TB80-400-12	TB80-400-18	TB80-400-25	TB80-400-31	TB80-400-37

URETHANE BELTS

High Speed Precision Positive Drive
.0816" (40DP) Pitch

1/8 • 3/16 • 1/4 • 5/16 inch Wide



Special Widths and Number of Grooves Available

NO. OF GROOVES	PITCH LENGTH	CATALOG NUMBER / BELT WIDTH ±.020			
		1/8	3/16	1/4	5/16
30	2.448	TB40-030-12	TB40-030-18	TB40-030-25	TB40-030-31
33	2.693	TB40-033-12	TB40-033-18	TB40-033-25	TB40-033-31
35	2.856	TB40-035-12	TB40-035-18	TB40-035-25	TB40-035-31
40	3.264	TB40-040-12	TB40-040-18	TB40-040-25	TB40-040-31
44	3.590	TB40-044-12	TB40-044-18	TB40-044-25	TB40-044-31
45	3.672	TB40-045-12	TB40-045-18	TB40-045-25	TB40-045-31
48	3.917	TB40-048-12	TB40-048-18	TB40-048-25	TB40-048-31
50	4.080	TB40-050-12	TB40-050-18	TB40-050-25	TB40-050-31
51	4.162	TB40-051-12	TB40-051-18	TB40-051-25	TB40-051-31
52	4.243	TB40-052-12	TB40-052-18	TB40-052-25	TB40-052-31
53	4.325	TB40-053-12	TB40-053-18	TB40-053-25	TB40-053-31
55	4.488	TB40-055-12	TB40-055-18	TB40-055-25	TB40-055-31
56	4.570	TB40-056-12	TB40-056-18	TB40-056-25	TB40-056-31
57	4.651	TB40-057-12	TB40-057-18	TB40-057-25	TB40-057-31
58	4.733	TB40-058-12	TB40-058-18	TB40-058-25	TB40-058-31
60	4.896	TB40-060-12	TB40-060-18	TB40-060-25	TB40-060-31
61	4.978	TB40-061-12	TB40-061-18	TB40-061-25	TB40-061-31
64	5.222	TB40-064-12	TB40-064-18	TB40-064-25	TB40-064-31
65	5.304	TB40-065-12	TB40-065-18	TB40-065-25	TB40-065-31
69	5.630	TB40-069-12	TB40-069-18	TB40-069-25	TB40-069-31
70	5.600	TB40-070-12	TB40-070-18	TB40-070-25	TB40-070-31
72	5.875	TB40-072-12	TB40-072-18	TB40-072-25	TB40-072-31
75	6.120	TB40-075-12	TB40-075-18	TB40-075-25	TB40-075-31
76	6.202	TB40-076-12	TB40-076-18	TB40-076-25	TB40-076-31
80	6.528	TB40-080-12	TB40-080-18	TB40-080-25	TB40-080-31
81	6.610	TB40-081-12	TB40-081-18	TB40-081-25	TB40-081-31
85	6.936	TB40-085-12	TB40-085-18	TB40-085-25	TB40-085-31
89	7.262	TB40-089-12	TB40-089-18	TB40-089-25	TB40-089-31
90	7.262	TB40-090-12	TB40-090-18	TB40-090-25	TB40-090-31
95	7.752	TB40-095-12	TB40-095-18	TB40-095-25	TB40-095-31
97	7.915	TB40-097-12	TB40-097-18	TB40-097-25	TB40-097-31
98	7.997	TB40-098-12	TB40-098-18	TB40-098-25	TB40-097-31
100	8.160	TB40-100-12	TB40-100-18	TB40-100-25	TB40-100-31
102	8.323	TB40-102-12	TB40-102-18	TB40-102-25	TB40-102-31
105	8.568	TB40-105-12	TB40-105-18	TB40-105-25	TB40-105-31
110	8.976	TB40-110-12	TB40-110-18	TB40-110-25	TB40-110-31
115	9.384	TB40-115-12	TB40-115-18	TB40-115-25	TB40-115-31
116	9.466	TB40-116-12	TB40-116-18	TB40-116-25	TB40-116-31
118	9.629	TB40-118-12	TB40-118-18	TB40-118-25	TB40-118-31
119	9.710	TB40-119-12	TB40-119-18	TB40-119-25	TB40-119-31
120	9.792	TB40-120-12	TB40-120-18	TB40-120-25	TB40-120-31
122	9.955	TB40-122-12	TB40-122-18	TB40-122-25	TB40-122-31
123	10.037	TB40-123-12	TB40-123-18	TB40-123-25	TB40-123-31
125	10.200	TB40-125-12	TB40-125-18	TB40-125-25	TB40-125-31
130	10.608	TB40-130-12	TB40-130-18	TB40-130-25	TB40-130-31
131	10.690	TB40-131-12	TB40-131-18	TB40-131-25	TB40-131-31
132	10.771	TB40-132-12	TB40-132-18	TB40-132-25	TB40-132-31
135	11.016	TB40-135-12	TB40-135-18	TB40-135-25	TB40-135-31
139	11.342	TB40-139-12	TB40-139-18	TB40-139-25	TB40-139-31
140	11.424	TB40-140-12	TB40-140-18	TB40-140-25	TB40-140-31
143	11.669	TB40-143-12	TB40-143-18	TB40-143-25	TB40-143-31
144	11.750	TB40-144-12	TB40-144-18	TB40-144-25	TB40-144-31
145	11.832	TB40-145-12	TB40-145-18	TB40-145-25	TB40-145-31
149	12.158	TB40-149-12	TB40-149-18	TB40-149-25	TB40-149-31
150	12.240	TB40-150-12	TB40-150-18	TB40-150-25	TB40-150-31

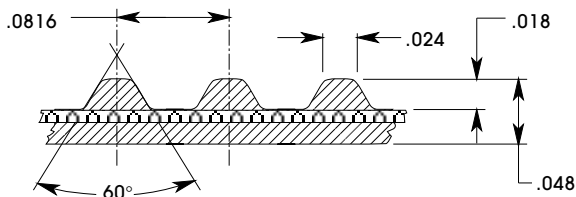
GROOVES 151 to 400 Continued on Next Page

URETHANE BELTS

High Speed Precision Positive Drive

.0816" (40DP) Pitch

1/8 • 3/16 • 1/4 • 5/16 inch Wide



Special Widths and Number of Grooves Available

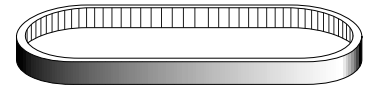
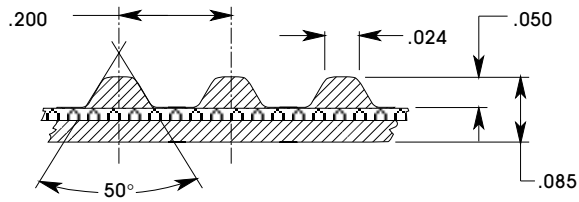
NO. OF GROOVES	PITCH LENGTH	CATALOG NUMBER / BELT WIDTH ±.020			
		1/8	3/16	1/4	5/16
151	12.322	TB40-151-12	TB40-151-18	TB40-151-25	TB40-151-31
152	12.403	TB40-152-12	TB40-152-18	TB40-152-25	TB40-152-31
153	12.485	TB40-153-12	TB40-153-18	TB40-153-25	TB40-153-31
154	12.566	TB40-154-12	TB40-154-18	TB40-154-25	TB40-154-31
155	12.648	TB40-155-12	TB40-155-18	TB40-155-25	TB40-155-31
160	13.056	TB40-160-12	TB40-160-18	TB40-160-25	TB40-160-31
162	13.219	TB40-162-12	TB40-162-18	TB40-162-25	TB40-162-31
163	13.301	TB40-163-12	TB40-163-18	TB40-163-25	TB40-163-31
165	13.464	TB40-165-12	TB40-165-18	TB40-165-25	TB40-165-31
170	13.872	TB40-170-12	TB40-170-18	TB40-170-25	TB40-170-31
175	14.280	TB40-175-12	TB40-175-18	TB40-175-25	TB40-175-31
178	14.525	TB40-178-12	TB40-178-18	TB40-178-25	TB40-178-31
180	14.688	TB40-180-12	TB40-180-18	TB40-180-25	TB40-180-31
185	15.096	TB40-185-12	TB40-185-18	TB40-185-25	TB40-185-31
190	15.504	TB40-190-12	TB40-190-18	TB40-190-25	TB40-190-31
192	15.667	TB40-192-12	TB40-192-18	TB40-192-25	TB40-192-31
193	15.749	TB40-193-12	TB40-193-18	TB40-193-25	TB40-193-31
195	15.912	TB40-195-12	TB40-195-18	TB40-195-25	TB40-195-31
200	16.320	TB40-200-12	TB40-200-18	TB40-200-25	TB40-200-31
205	16.728	TB40-205-12	TB40-205-18	TB40-205-25	TB40-205-31
208	16.973	TB40-208-12	TB40-208-18	TB40-208-25	TB40-208-31
210	17.136	TB40-210-12	TB40-210-18	TB40-210-25	TB40-210-31
214	17.462	TB40-214-12	TB40-214-18	TB40-214-25	TB40-214-31
215	17.544	TB40-215-12	TB40-215-18	TB40-215-25	TB40-215-31
220	17.952	TB40-220-12	TB40-220-18	TB40-220-25	TB40-220-31
225	18.360	TB40-225-12	TB40-225-18	TB40-225-25	TB40-225-31
230	18.768	TB40-230-12	TB40-230-18	TB40-230-25	TB40-230-31
235	19.176	TB40-235-12	TB40-235-18	TB40-235-25	TB40-235-31
240	19.584	TB40-240-12	TB40-240-18	TB40-240-25	TB40-240-31
245	19.992	TB40-245-12	TB40-245-18	TB40-245-25	TB40-245-31
250	20.400	TB40-250-12	TB40-250-18	TB40-250-25	TB40-250-31
252	20.563	TB40-252-12	TB40-252-18	TB40-252-25	TB40-252-31
255	20.808	TB40-255-12	TB40-255-18	TB40-255-25	TB40-255-31
257	20.971	TB40-257-12	TB40-257-18	TB40-257-25	TB40-257-31
258	21.053	TB40-258-12	TB40-258-18	TB40-258-25	TB40-258-31
260	21.216	TB40-260-12	TB40-260-18	TB40-260-25	TB40-260-31
264	21.542	TB40-264-12	TB40-264-18	TB40-264-25	TB40-264-31
265	21.624	TB40-265-12	TB40-265-18	TB40-265-25	TB40-265-31
270	22.032	TB40-270-12	TB40-270-18	TB40-270-25	TB40-270-31
275	22.440	TB40-275-12	TB40-275-18	TB40-275-25	TB40-275-31
280	22.848	TB40-280-12	TB40-280-18	TB40-280-25	TB40-280-31
281	22.930	TB40-281-12	TB40-281-18	TB40-281-25	TB40-281-31
285	23.256	TB40-285-12	TB80-285-18	TB40-285-25	TB40-285-31
290	23.664	TB40-290-12	TB40-290-18	TB40-290-25	TB40-290-31
295	24.072	TB40-295-12	TB40-295-18	TB40-295-25	TB40-295-31
300	24.480	TB40-300-12	TB40-300-18	TB40-300-25	TB40-300-31
310	25.296	TB40-310-12	TB40-310-18	TB40-310-25	TB40-310-31
320	26.112	TB40-320-12	TB40-320-18	TB40-320-25	TB40-320-31
324	26.438	TB40-324-12	TB40-324-18	TB40-324-25	TB40-324-31
330	26.928	TB40-330-12	TB40-330-18	TB40-330-25	TB40-330-31
340	27.774	TB40-340-12	TB40-340-18	TB40-340-25	TB40-340-31
350	28.560	TB40-350-12	TB40-350-18	TB40-350-25	TB40-350-31
360	29.376	TB40-360-12	TB40-360-18	TB40-360-25	TB40-360-31
369	30.110	TB40-369-12	TB40-369-18	TB40-369-25	TB40-369-31
370	30.192	TB40-370-12	TB40-370-18	TB40-370-25	TB40-370-31
380	31.008	TB40-380-12	TB40-380-18	TB40-380-25	TB40-380-31
390	31.824	TB40-390-12	TB40-390-18	TB40-390-25	TB40-390-31
392	31.987	TB40-392-12	TB40-392-18	TB40-392-25	TB40-392-31
400	32.640	TB40-400-12	TB40-400-18	TB40-400-25	TB40-400-31

URETHANE BELTS

High Speed Precision Positive Drive

.200" (XL) 1/5" Pitch

1/4 • 5/16 • 3/8 inch Wide



Special Widths and Number of Grooves Available

NO. OF GROOVES	PITCH LENGTH	CATALOG NUMBER / BELT WIDTH ±.020		
		1/4	5/16	3/8
30	6.000	TB20-030-25	TB20-030-31	TB20-030-37
35	7.000	TB20-035-25	TB20-035-31	TB20-035-37
40	8.000	TB20-040-25	TB20-040-31	TB20-040-37
45	9.000	TB20-045-25	TB20-045-31	TB20-045-37
50	10.000	TB20-050-25	TB20-050-31	TB20-050-37
55	11.000	TB20-055-25	TB20-055-31	TB20-055-37
60	12.000	TB20-060-25	TB20-060-31	TB20-060-37
65	13.000	TB20-065-25	TB20-065-31	TB20-065-37
70	14.000	TB20-070-25	TB20-070-31	TB20-070-37
75	15.000	TB20-075-25	TB20-075-31	TB20-075-37
80	16.000	TB20-080-25	TB20-080-31	TB20-080-37
85	17.000	TB20-085-25	TB20-085-31	TB20-085-37
90	18.000	TB20-090-25	TB20-090-31	TB20-090-37
95	19.000	TB20-095-25	TB20-095-31	TB20-095-37
100	20.000	TB20-100-25	TB20-100-31	TB20-100-37
105	21.000	TB20-105-25	TB20-105-31	TB20-105-37
110	22.000	TB20-110-25	TB20-110-31	TB20-110-37
115	23.000	TB20-115-25	TB20-115-31	TB20-115-37
120	24.000	TB20-120-25	TB20-120-31	TB20-120-37
125	25.000	TB20-125-25	TB20-125-31	TB20-125-37
130	26.000	TB20-130-25	TB20-130-31	TB20-130-37
135	27.000	TB20-135-25	TB20-135-31	TB20-135-37
140	28.000	TB20-140-25	TB20-140-31	TB20-140-37
145	29.000	TB20-145-25	TB20-145-31	TB20-145-37
150	30.000	TB20-150-25	TB20-150-31	TB20-150-37

TIMING BELT PULLEYS LEXAN® PRECISION

.080" Pitch

Single Flange • Double Flange

1/4 inch Belts

FEATURES:

1. GREATER PRECISION than conventional plastic materials such as Nylon or Acetal.
2. LIGHTWEIGHT as pulley weights are about 1/2 the weight of aluminum
3. LONG BELT LIFE achieved due to low coefficient of friction of plastic
4. NO LUBRICATION REQUIRED
5. POSITIVE SLIP-PROOF ENGAGEMENT of belt and pulley assured with high mechanical efficiency and minimum backlash
6. NON-CORROSIVE and NON-CONDUCTIVE (Electrical)
7. CONFORMS to all SPECIFICATIONS of the Major Timing Belt Manufactures

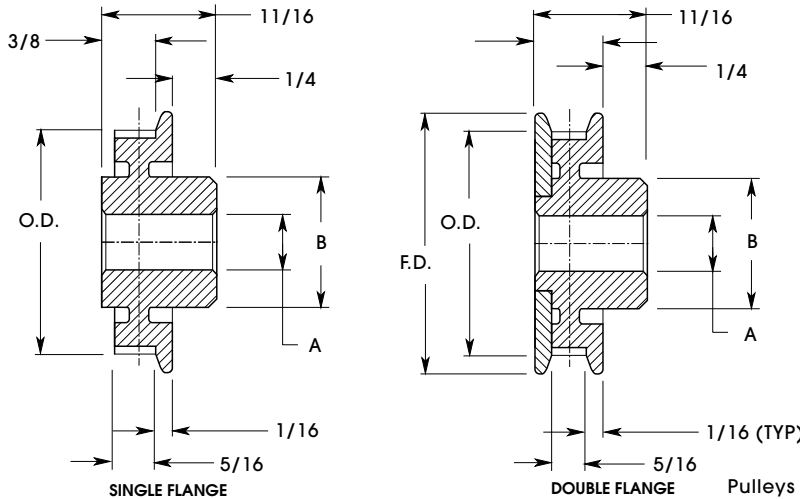
AVAILABLE ON REQUEST:

Single or Double Flange Pulleys are available in all sizes.
Send drawings or sketch for quote on any special pulley.

EXAMPLES OF SPECIALS:

- a - Bores: "D" shaped, key slots, square or spline. Metric sizes.
- b - Face widths other than standard.
- c - Hubless or hub diameters other than standard.
- d - Aluminum, brass, or stainless steel inserts thru bore with pulley overmolded.
- e - Tapped holes, set screws, sub-drill or drilled holes.

TOLERANCE CHART			
NUMBER of GROOVES	PULLEY DIAMETER	EXCENTRICITY Bore to OD (TIR)	WOBBLE Perpendicularity (Face to Bore)
10-28	+ .003 - .001	.004	.004
30-48	+ .004 - .001	.005	.006
60-130	+ .005 - .001	.006	.007



Material:

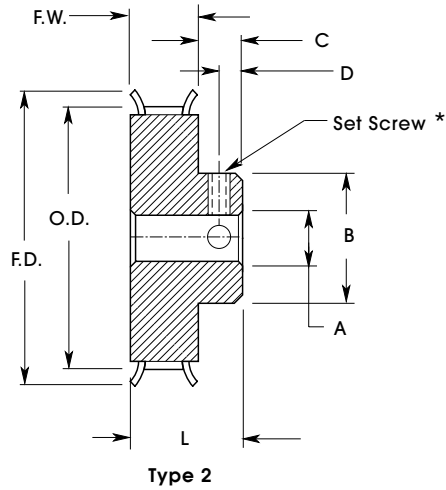
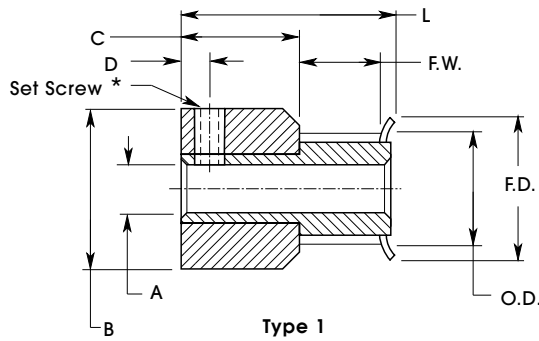
Polycarbonate LEXAN® with fiberglass reinforcement

Pulleys under 40 Grooves do not have webs

NUMBER of GROOVES	PITCH DIAMETER	FLANGE DIAMETER	OUTSIDE DIAMETER	+ .001 - .000 "A" BORE	"B" HUB DIAMETER	CATALOG NUMBER	
						SINGLE FLANGE	DOUBLE FLANGE
10	.255	.42	.235	3/32	7/16	80SF-10	80DF-10
11	.280	.45	.260			80SF-11	80DF-11
12	.306	.47	.286			80SF-12	80DF-12
14	.357	.53	.337	1/8	7/16	80SF-14	80DF-14
15	.382	.55	.362			80SF-15	80DF-15
16	.407	.58	.387			80SF-16	80DF-16
18	.458	.63	.438	3/16	1/2	80SF-18	80DF-18
20	.509	.68	.489			80SF-20	80DF-20
21	.535	.70	.515			80SF-21	80DF-21
22	.560	.73	.540			80SF-22	80DF-22
24	.611	.78	.591			80SF-24	80DF-24
28	.713	.88	.693	1/4	11/16	80SF-28	80DF-28
30	.764	.93	.744			80SF-30	80DF-30
32	.815	.98	.795			80SF-32	80DF-32
36	.917	1.09	.897			80SF-36	80DF-36
40	1.019	1.19	.999			80SF-40	80DF-40
42	1.070	1.24	1.050			80SF-42	80DF-42
44	1.120	1.29	1.100			80SF-44	80DF-44
48	1.222	1.39	1.202			80SF-48	80DF-48
60	1.528	1.70	1.508			80SF-60	80DF-60
65	1.655	1.82	1.635			5/16	11/16
72	1.833	2.00	1.813	80SF-72	80DF-72		
80	2.037	2.21	2.017	80SF-80	80DF-80		
90	2.292	2.46	2.272	80SF-90	80DF-90		
100	2.546	2.71	2.526	80SF-100	80DF-100		
110	2.801	2.97	2.781	80SF-110	80DF-110		
120	3.056	3.22	3.036	80SF-120	80DF-120		
130	3.310	3.48	3.290	80SF-130	80DF-130		

ALUMINUM TIMING BELT PULLEYS

.080" Pitch
Double Flange
 up to 1/8 inch Belts



Material:
 ALUMINUM 6061-T6
Finish:
 CHROMIC ACID ANODIZE

* Pulleys with 10 to 16 Grooves have 1 Set Screw, others have 2 @ 90°

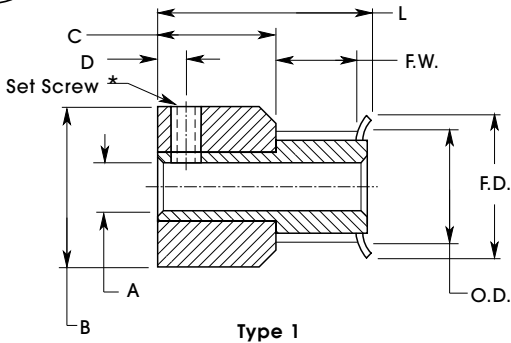
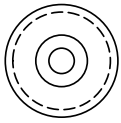
NUMBER of GROOVES	+0.01 -0.000 "A" BORE	TYPE	PITCH DIAMETER	±1/64 FLANGE DIAMETER	+0.003 -0.000 O.D.	±1/64 "B" HUB DIAMETER	"C" HUB PROJECTION	±1/64 "L" LENGTH	"D"	"FW" FACE WIDTH	SET SCREW	CATALOG NUMBER				
10	.1250	1	.255	.425	.235	.425	7/32	27/64	7/64	.156	No. 4-40	80DF1-1				
11			.280	.450	.260	.450						80DF1-2				
12			.306	.480	.286	.480						80DF1-3				
14			.357	.530	.337	.530						80DF1-4				
15	.1875	2	.382	.555	.362	.555						80DF1-5				
16			.407	.580	.387	.580						80DF1-6				
18	.2500	2	.458	.635	.438	.312						31/64 7/16	7/64	.260 .156	No. 4-40	80DF1-7
18		1	.635	.812	.635	.812										80DF1-8
20	.1875	2	.509	.685	.489	.364		31/64 7/16	7/64	.260 .156	No. 4-40	80DF1-9				
20	.2500	1	.685	.860	.685	.860						80DF1-10				
21	.1875	2	.535	.710	.515	.390		31/64 7/16	7/64	.260 .156	No. 4-40	80DF1-11				
21	.2500	1	.710	.885	.710	.885						80DF1-12				
22	.1875	2	.560	.740	.540	.390		31/64	7/64	.260 .156	No. 4-40	80DF1-13				
22		1	.740	.915	.740	.915						80DF1-14				
24	.2500	2	.611	.790	.591	.442		1/4	33/64	1/8	.260	No. 6-32	80DF1-15			
28			.713	.895	.693	.494							80DF1-16			
30			.764	.945	.744	.546	80DF1-17									
32			.815	1.000	.795	.598	80DF1-18									
36			.917	1.105	.897	.676	80DF1-19									
40			1.019	1.210	.999	.754	17/32						.276	No. 6-32	80DF1-20	
42	1.070	1.260	1.050	.806	80DF1-21											
44	1.120	1.315	1.100	.858	80DF1-22											
48	1.222	1.420	1.202	.936	80DF1-23											
48	1.222	1.420	1.202	.936	80DF1-23											
60	1.528	1.730	1.508	1.222	80DF1-24											

TIMING BELT PULLEYS ALUMINUM

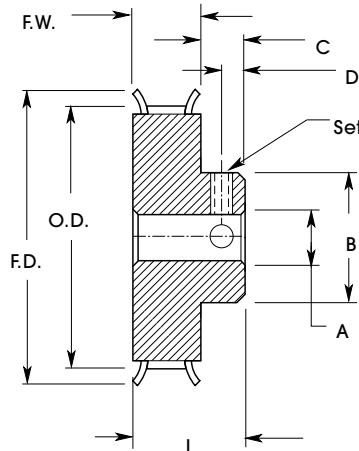
.080" Pitch

No Flange • Double Flange

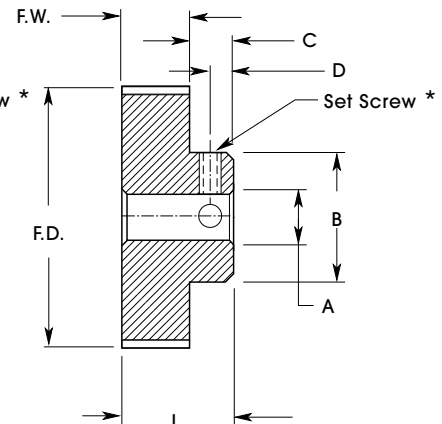
up to 1/4 inch Belts



Type 1



Type 2



Type 3

Material:

ALUMINUM 6061-T6

Finish:

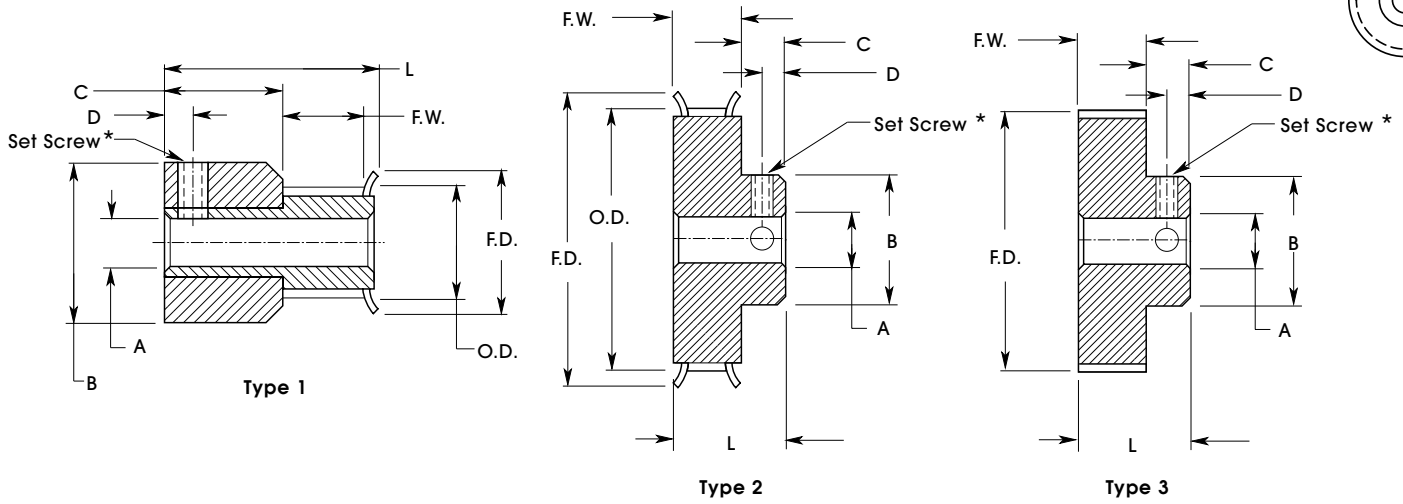
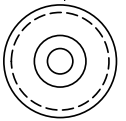
CHROMIC ACID ANODIZE

* Pulleys with 10 to 16 Grooves have 1 Set Screw, others have 2 @ 90°

NUMBER of GROOVES	$\begin{smallmatrix} +.001 \\ -.000 \end{smallmatrix}$ "A" BORE	TYPE	PITCH DIAMETER	$\pm 1/64$ FLANGE DIAMETER	$\begin{smallmatrix} +.003 \\ -.000 \end{smallmatrix}$ O.D.	$\pm 1/64$ "B" HUB DIAMETER	"C" HUB PROJECTION	$\pm 1/64$ "L" LENGTH	"D"	"FW" FACE WIDTH	SET SCREW	CATALOG NUMBER			
10	.1250	1	.255	.425	.235	.425	15/64	9/16	7/64	.285	No. 4-40	80DF2-1			
11			.280	.450	.260	.450						80DF2-2			
12			.306	.480	.286	.480						80DF2-3			
14			.357	.530	.337	.530						80DF2-4			
15	.1875	2	.382	.555	.362	.555	5/8	7/64	.389	No. 6-32	80DF2-5				
16			.407	.580	.387	.580					80DF2-6				
18	.2500	1	.458	.635	.438	.312	9/16	5/32	.285	No. 8-32	80DF2-7				
18		2	.509	.685	.489	.364	5/8				80DF2-8				
20	.1875	2	.509	.685	.489	.364	9/16	5/32	.285	No. 8-32	80DF2-9				
20		1	.535	.710	.515	.390	5/8				80DF2-10				
21	.2500	2	.535	.710	.515	.390	9/16	5/32	.285	No. 8-32	80DF2-11				
21		1	.560	.740	.540	.390	5/8				80DF2-12				
22	.1875	2	.560	.740	.540	.390	9/16	5/32	.285	No. 8-32	80DF2-13				
22		1	.611	.790	.591	.442	19/64				11/16	.389	No. 10-32	80DF2-14	
24	.2500	2	.713	.895	.693	.494		5/16	23/32	.405				No. 8-32	80DF2-15
28			.764	.945	.744	.546									80DF2-16
30			.815	1.000	.795	.598									80DF2-17
32			.917	1.105	.897	.676									80DF2-18
36			1.019	1.210	.999	.754	80DF2-19								
40	.3125	3	1.070	1.260	1.050	.806	3/8	3/4	3/16	.375	No. 10-32	80DF2-20			
42			1.120	1.315	1.100	.858						80DF2-21			
44			1.222	1.420	1.202	.936						80DF2-22			
48			1.528	1.730	1.508	1.222						80DF2-23			
60	.3750	3	1.833	2.037	1.813	1.195	3/8	3/4	3/16	.375	No. 10-32	80DF2-24			
60			2.292	2.546	2.272	2.526						80NF2-25			
72	.3125	3	2.546	2.800	2.526	2.800	3/8	3/4	3/16	.375	No. 10-32	80NF2-26			
80			3.056	3.310	3.036	3.310						80NF2-27			
90	.3750	3	3.056	3.310	3.036	3.310	3/8	3/4	3/16	.375	No. 10-32	80NF2-28			
100			3.056	3.310	3.036	3.310						80NF2-29			
120	.3750	3	3.056	3.310	3.036	3.310	3/8	3/4	3/16	.375	No. 10-32	80NF2-30			
120			3.056	3.310	3.036	3.310						80NF2-30			

ALUMINUM TIMING BELT PULLEYS

.080" Pitch
No Flange • Double Flange
 up to 3/8 inch Belts



Material:
 ALUMINUM 6061-T6
Finish:
 CHROMIC ACID ANODIZE

* Pulleys with 10 to 16 Grooves have 1 Set Screw, others have 2 @ 90°

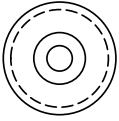
NUMBER of GROOVES	+0.01 -0.000 "A" BORE	TYPE	PITCH DIAMETER	±1/64 FLANGE DIAMETER	+0.003 -0.000 O.D.	±1/64 "B" HUB DIAMETER	"C" HUB PROJECTION	±1/64 "L" LENGTH	"D"	"FW" FACE WIDTH	SET SCREW	CATALOG NUMBER
10	.1250	1	.255	.425	.235	.425	11/16	7/64	.410	No. 4-40	80DF3-1	
11			.280	.450	.260	.450					80DF3-2	
12			.306	.480	.286	.480					80DF3-3	
14			.357	.530	.337	.530					80DF3-4	
15	.1875	2	.382	.555	.362	.555	15/64	7/64	.514	No. 6-32	80DF3-5	
16			.407	.580	.387	.580					80DF3-6	
18	.2500	1	.458	.635	.438	.312	3/4	5/32	.514	No. 8-32	80DF3-7	
18			.410	.635	.438	.312	11/16				80DF3-8	
20	.1875	2	.509	.685	.489	.364	3/4	5/32	.514	No. 6-32	80DF3-9	
20			.2500	1	.685	.489	.364				11/16	.410
21	.1875	2	.535	.710	.515	.390	3/4	5/32	.514	No. 6-32	80DF3-11	
21			.2500	1	.710	.515	.390				11/16	.410
22	.1875	2	.560	.740	.540	.390	3/4	5/32	.514	No. 6-32	80DF3-13	
22			1	.740	.540	.390	11/16				.410	80DF3-14
24	.2500	2	.611	.790	.591	.442	19/64	13/16	.514	No. 8-32	80DF3-15	
28			.713	.895	.693	.494					80DF3-16	
30			.764	.945	.744	.546					80DF3-17	
32			.815	1.000	.795	.598					80DF3-18	
36			.917	1.105	.897	.676					80DF3-19	
40	.2500	2	1.019	1.210	.999	.754	5/16	27/32	.530	No. 8-32	80DF3-20	
42			1.070	1.260	1.050	.806					80DF3-21	
44			1.120	1.315	1.100	.858					80DF3-22	
48			1.222	1.420	1.202	.936					80DF3-23	
60	.3125	3	1.528	1.730	1.508	1.222	3/8	7/8	3/16	.500	No. 10-32	80DF3-24
60			1.148	1.348	1.128	1.148						80NF3-25
72	.3125	3	1.833		1.813	1.195	3/8	7/8	3/16	.500	No. 10-32	80NF3-26
80			2.037		2.017	1.195						80NF3-27
90	.3125	3	2.292		2.272	1.500	3/8	7/8	3/16	.500	No. 10-32	80NF3-28
100			2.546		2.526	1.500						80NF3-29
120	.3750	3	3.056		3.036		3/8	7/8	3/16	.500	No. 10-32	80NF3-30

TIMING BELT PULLEYS *DELTRIN®*

.0816" Pitch

Single Flange • Double Flange

1/4 inch Belts

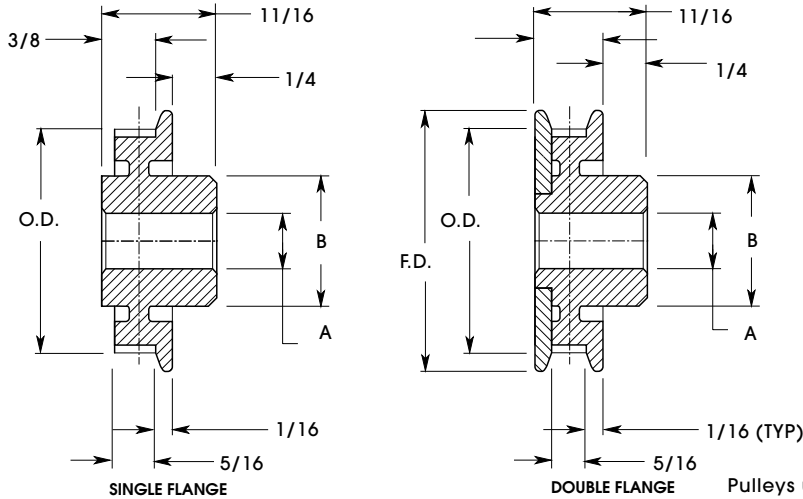


AVAILABLE ON REQUEST:

Single or Double Flange Pulleys are available in all sizes.
Send drawings or sketch for quote on any special pulley.

EXAMPLES OF SPECIALS:

- a - Bores: "D" shaped, key slots, square or spline. Metric sizes.
- b - Face widths other than standard.
- c - Hubless or hub diameters other than standard.
- d - Tapped holes, set screws, sub-drill or drilled holes.



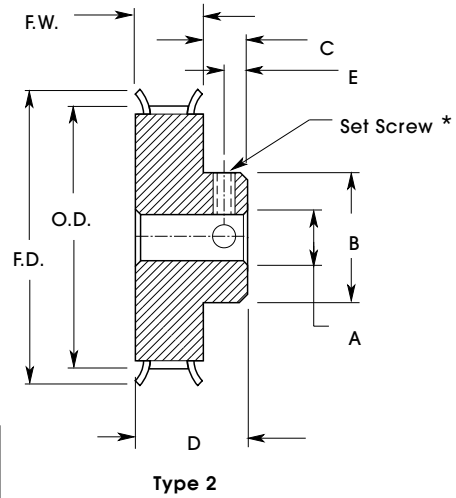
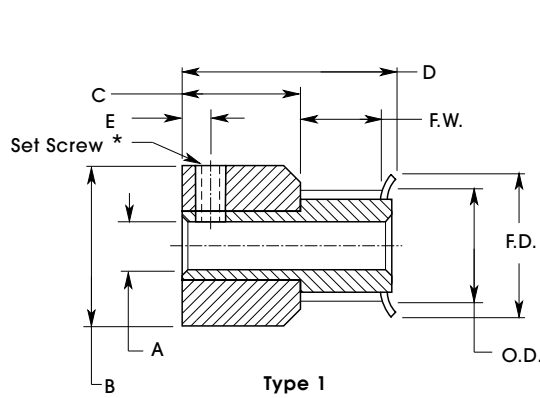
Material:
DELTRIN® by DuPont
Web Thickness: .090

Pulleys under 40 Grooves do not have webs

NUMBER of GROOVES	±.01 PITCH DIAMETER	FLANGE DIAMETER	±.005 OUTSIDE DIAMETER	+.001 -.002 "A" BORE	"B" HUB DIAMETER	CATALOG NUMBER	
						SINGLE FLANGE	DOUBLE FLANGE
10	.260	.425	.246	.094	7/16	40SF-10	40DF-10
14	.364	.540	.350			40SF-14	40DF-14
15	.390	.568	.376			40SF-15	40DF-15
18	.468	.648	.454	.187	1/2	40SF-18	40DF-18
19	.494	.673	.480			40SF-19	40DF-19
20	.520	.697	.506			40SF-20	40DF-20
21	.546	.732	.532			40SF-21	40DF-21
24	.624	.800	.610			40SF-24	40DF-24
25	.650	.834	.636			40SF-25	40DF-25
28	.728	.905	.714	.250	11/16	40SF-28	40DF-28
30	.780	.952	.766			40SF-30	40DF-30
32	.832	1.005	.818			40SF-32	40DF-32
34	.884	1.005	.870			40SF-34	40DF-34
36	.936	1.107	.922			40SF-36	40DF-36
38	.988	1.159	.974			40SF-38	40DF-38
40	1.040	1.212	1.026			40SF-40	40DF-40
42	1.092	1.266	1.078			40SF-42	40DF-42
44	1.144	1.315	1.130			40SF-44	40DF-44
46	1.196	1.370	1.182			40SF-46	40DF-46
48	1.248	1.422	1.234	40SF-48	40DF-48		
50	1.300	1.471	1.286	40SF-50	40DF-50		
51	1.326	1.497	1.312	40SF-51	40DF-51		
54	1.404	1.575	1.390	40SF-54	40DF-54		
60	1.560	1.723	1.546	40SF-60	40DF-60		
70	1.820	1.991	1.806	40SF-70	40DF-70		
72	1.872	2.035	1.858	.312		40SF-72	40DF-72
75	1.950	2.121	1.936			40SF-75	40DF-75
80	2.080	2.251	2.066			40SF-80	40DF-80
84	2.184	2.355	2.170			40SF-84	40DF-84
90	2.340	2.511	2.326			40SF-90	40DF-90
96	2.496	2.667	2.482			40SF-96	40DF-96
97	2.524	2.677	2.508			40SF-97	40DF-97
98	2.548	2.719	2.534			40SF-98	40DF-98
100	2.600	2.771	2.586			40SF-100	40DF-100
102	2.652	2.823	2.638			40SF-102	40DF-102
110	2.860	3.031	2.846			40SF-110	40DF-110
120	3.120	3.365	3.106			40SF-120	40DF-120

ALUMINUM TIMING BELT PULLEYS

.0816" Pitch
Double Flange
 3/16 inch Belts



Bore	Set Screw
.094	# 2-56
.125	#2-56
.187	#4-40
.250	#6-32

Material:
 ALUMINUM 6061-T6
Finish:
 CHROMIC ACID ANODIZE

* Pulleys with 10 to 16 Grooves have 1 Set Screw, others have 2 @ 90°

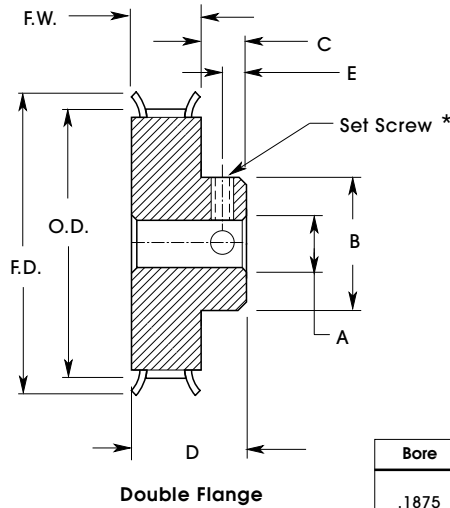
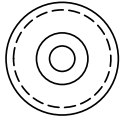
NUMBER of GROOVES	^{+0.001} / _{-0.000} "A" BORE	TYPE	PITCH DIAMETER	^{±1/64} FLANGE DIAMETER	^{+0.000} / _{-.003} O.D.	^{±1/64} "B" HUB DIAMETER	"C" HUB PROJECTION	^{±1/64} "D" LENGTH	"E"	"FW" FACE WIDTH	CATALOG NUMBER
10	.0940 .1250	1	.260	.425	.246	.425	15/64	1/2	7/64	.220	40ADF-1 40ADF-2
11	.0940 .1250		.286	.450	.272	.450					40ADF-3 40ADF-4
12	.0940 .1250		.312	.480	.298	.480					40ADF-5 40ADF-6
13	.1250		.338	.505	.324	.505					40ADF-7 40ADF-8
14	.1250		.364	.530	.350	.530					40ADF-9 40ADF-10
15	.1250 .1875		.390	.555	.376	.555					40ADF-11 40ADF-12
16	.1250 .1875	2	.468	.635	.454	.312	9/16	7/64	.324	40ADF-13 40ADF-14	
18	.1250 .1875 .2500									1	.635
20	.1250 .1875 .2500	2	.520	.686	.506	.364	9/16	7/64	.324	40ADF-16 40ADF-17	
	.2500									1	.685
21	.1250 .1875 .2500	2	.546	.710	.532	.390	9/16	7/64	.324	40ADF-19 40ADF-20	
	.2500									1	.710
22	.1250 .1875 .2500	2	.572	.740	.558	.390	9/16	7/64	.324	40ADF-22 40ADF-23	
	.2500									1	.740
24	.1875 .2500	2	.624	.790	.610	.442	19/64	5/8	5/32	.324	40ADF-25 40ADF-26
25	.1875 .2500		.650	.815	.636	.468					40ADF-27 40ADF-28
26	.1875 .2500		.676	.840	.662						40ADF-29 40ADF-30
28	.1875 .2500		.728	.895	.714	.494					40ADF-31 40ADF-32

TIMING BELT PULLEYS ALUMINUM

.0816" (40DP) Pitch

Double Flange

3/16 inch Belts



Material:
ALUMINUM 6061-T6
Finish:
CHROMIC ACID ANODIZE

Bore	Set Screw
.1875	#4-40
.2500	#3-32
.3125	#8-32

* All Pulleys have 2 Set Screws @ 90°

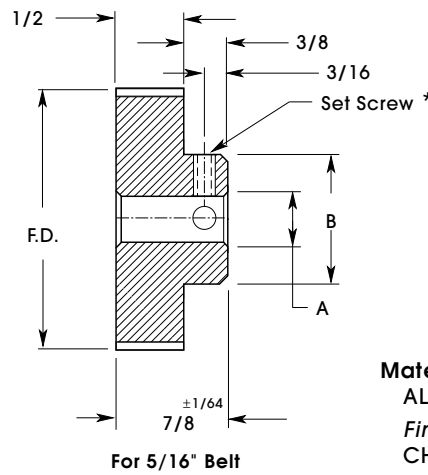
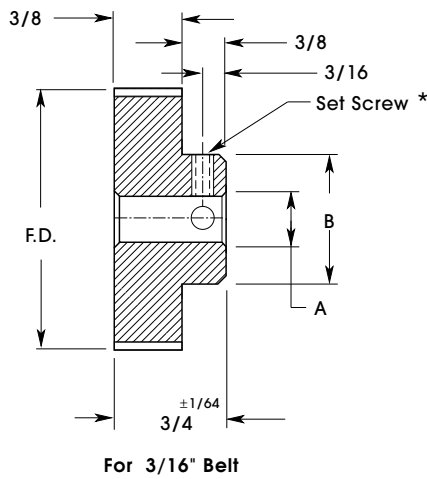
NUMBER of GROOVES	+0.001 -0.000 "A" BORE	TYPE	PITCH DIAMETER	±1/64 FLANGE DIAMETER	+0.000 -0.003 O.D.	±1/64 "B" HUB DIAMETER	"C" HUB PROJECTION	±1/64 "D" LENGTH	"E"	"FW" FACE WIDTH	CATALOG NUMBER
30	.1875 .2500	3	.780	.945	.766	.546	19/64	5/8	5/32	.324	40ADF-33
32	.1875 .2500		.832	1.000	.818	.598					40ADF-34
33	.1875 .2500		.858	1.025	.844	.624					40ADF-35
34	.1875 .2500		.884	1.050	.870	.624					40ADF-36
35	.1875 .2500		.910	1.080	.896	.650					40ADF-37
36	.1875 .2500		.936	1.105	.922	.676					40ADF-38
38	.2500 .3125		.938	1.155	.974	.728	21/64	21/32	5/32	.340	40ADF-39
40	.2500 .3125		1.040	1.210	1.026	.754					40ADF-40
42	.2500 .3125		1.092	1.260	1.078	.806					40ADF-41
44	.2500 .3125		1.144	1.315	1.130	.858					40ADF-42
45	.2500 .3125		1.170	1.340	1.156	.884					40ADF-43
48	.2500 .3125		1.248	1.420	1.234	.933					40ADF-44
50	.2500 .3125		1.300	1.470	1.286	.988					40ADF-45
54	.2500 .3125		1.404	1.575	1.390	1.066					40ADF-46
58	.2500 .3125		1.476	1.645	1.442	1.112					40ADF-47
60	.2500 .3125		1.560	1.730	1.546	1.222					40ADF-48
											40ADF-49
											40ADF-50
											40ADF-51
											40ADF-52
											40ADF-53
											40ADF-54
											40ADF-55
											40ADF-56
											40ADF-57
											40ADF-58
											40ADF-59
											40ADF-60
											40ADF-61
											40ADF-62

ALUMINUM TIMING BELT PULLEYS

.0816" (40 DP) Pitch

No Flange

3/16 • 5/16 inch Belts



Material:
ALUMINUM 6061-T6
Finish:
CHROMIC ACID ANODIZE

* All Pulleys have 2 Set Screws @ 90°

NUMBER of GROOVES	+.001 -.000 "A" BORE	±1/64 PITCH DIAMETER	+.000 -.003 O.D.	±1/64 "B" HUB DIAMETER	CATALOG NUMBER/ BELT WIDTH	
					3/16	5/16
20	.1875	.520	.506	.436	40ANF-1	40A2NF-1
	.2500				40ANF-2	40A2NF-2
24	.1875	.624	.610	.500	40ANF-3	40A2NF-3
	.2500				40ANF-4	40A2NF-4
30	.2500	.780	.766	.656	40ANF-5	40A2NF-5
40	.2500	1.040	1.026	.666	40ANF-6	40A2NF-6
45	.2500	1.170	1.156	.796	40ANF-7	40A2NF-7
50	.2500	1.300	1.286	.926	40ANF-8	40A2NF-8
	.3125				40ANF-9	40A2NF-9
60	.2500	1.560	1.546	1.186	40ANF-10	40A2NF-10
	.3125				40ANF-11	40A2NF-11
70	.2500	1.820	1.806	1.150	40ANF-12	40A2NF-12
	.3750				40ANF-13	40A2NF-13
72	.2500	1.872	1.858	1.202	40ANF-14	40A2NF-14
	.3750				40ANF-15	40A2NF-15
75	.2500	1.950	1.936	1.266	40ANF-16	40A2NF-16
	.3750				40ANF-17	40A2NF-17
80	.2500	2.080	2.066	1.396	40ANF-18	40A2NF-18
	.3750				40ANF-19	40A2NF-19
84	.2500	2.184	2.170	1.500	40ANF-20	40A2NF-20
	.3750				40ANF-21	40A2NF-21
88	.2500	2.288	2.274	1.500	40ANF-22	40A2NF-22
	.3750				40ANF-23	40A2NF-23
90	.2500	2.340	2.326	1.500	40ANF-24	40A2NF-24
	.3750				40ANF-25	40A2NF-25
96	.2500	2.496	2.482	1.500	40ANF-26	40A2NF-26
	.3750				40ANF-27	40A2NF-27
98	.2500	2.548	2.534	1.500	40ANF-28	40A2NF-28
	.3750				40ANF-29	40A2NF-29
100	.3125	2.600	2.586	1.500	40ANF-30	40A2NF-30
	.3750				40ANF-31	40A2NF-31
108	.3125	2.808	2.794	1.500	40ANF-32	40A2NF-32
	.3750				40ANF-33	40A2NF-33
110	.3125	2.860	2.846	1.500	-----	40A2NF-34
	.3750				-----	40A2NF-35
120	.3125	3.120	3.106	1.500	40ANF-34	-----
	.3750				40ANF-35	40A2NF-36
130	.3750	3.380	3.366	1.625	-----	40A2NF-37
140	.3750	3.640	3.626	1.750	-----	40A2NF-38
150	.3750	3.900	3.886	2.000	-----	40A2NF-39

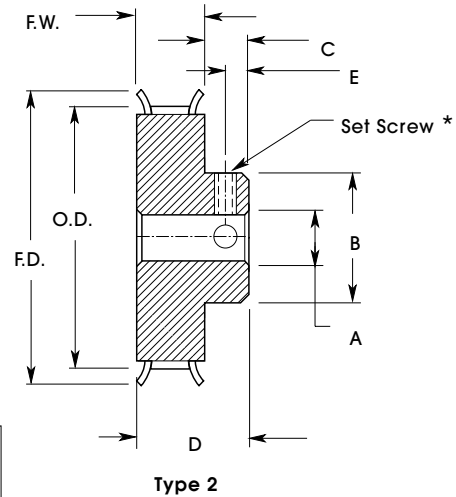
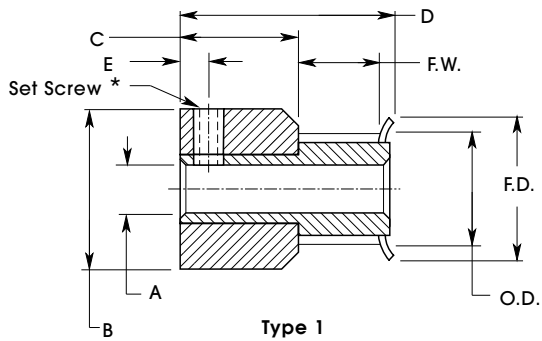
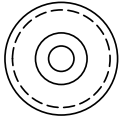
Bore	Set Screw
.1875	#4-40
.2500	#3-32
.3125	#8-32
.3750	#10-32

TIMING BELT PULLEYS ALUMINUM

.0816" (40DP) Pitch

Double Flange

5/16 inch Belts



Bore	Set Screw
.094	# 2-56
.125	#2-56
.187	#4-40
.250	#6-32

Material:
ALUMINUM 6061-T6
Finish:
CHROMIC ACID ANODIZE

* Pulleys with 10 to 16 Grooves have 1 Set Screw, others have 2 @ 90°

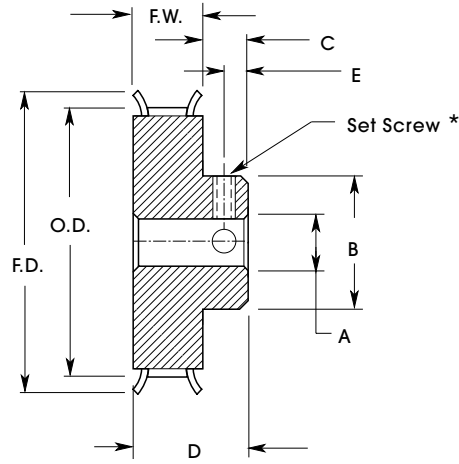
NUMBER of GROOVES	+0.001 -0.000 "A" BORE	TYPE	PITCH DIAMETER	±1/64 FLANGE DIAMETER	+0.000 -0.003 O.D.	±1/64 "B" HUB DIAMETER	"C" HUB PROJECTION	±1/64 "D" LENGTH	"E"	"FW" FACE WIDTH	CATALOG NUMBER			
10	.0940 .1250	1	.260	.425	.246	.425	15/64	5/8	7/64	.345	40A2DF-1			
11	.0940 .1250		.286	.450	.272	.450					40A2DF-3			
12	.0940 .1250		.312	.480	.298	.480					40A2DF-5			
13	.1250		.338	.505	.324	.505					40A2DF-7			
14	.1250		.364	.530	.350	.530					40A2DF-8			
15	.1250 .1875		.390	.555	.376	.555					40A2DF-9			
16	.1250 .1875		.416	.580	.402	.580					40A2DF-11			
18	.1250 .1875 .2500		2	.468	.635	.454					.312	11/16	.449	40A2DF-13
20	.1250 .1875 .2500		1	.520	.686	.506					.635	5/8	.345	40A2DF-14
21	.1250 .1875 .2500		2	.546	.710	.532					.390	15/64	.449	40A2DF-15
22	.1250 .1875 .2500	1	.572	.740	.558	.685	5/8	.345	40A2DF-16					
24	.1875 .2500	2	.624	.790	.610	.442	15/64	.449	40A2DF-17					
25	.1875 .2500	1	.650	.815	.636	.468	5/8	.345	40A2DF-18					
26	.1875 .2500	2	.676	.840	.662	.390	15/64	.449	40A2DF-19					
28	.1875 .2500	1	.728	.895	.714	.494	5/8	.345	40A2DF-20					
							19/64	3/4	5/32	.449	40A2DF-21			
											40A2DF-22			
											40A2DF-23			
											40A2DF-24			
											40A2DF-25			
											40A2DF-26			
											40A2DF-27			
											40A2DF-28			
											40A2DF-29			
											40A2DF-30			
											40A2DF-31			
											40A2DF-32			

ALUMINUM TIMING BELT PULLEYS

.0816" (40 DP) Pitch

Double Flange

5/16 inch Belts



Double Flange

Material:
ALUMINUM 6061-T6
Finish:
CHROMIC ACID ANODIZE

Bore	Set Screw
.1875	#4-40
.2500	#3-32
.3125	#8-32

* All Pulleys have 2 Set Screws @ 90°

NUMBER of GROOVES	+0.001 -0.000 "A" BORE	TYPE	PITCH DIAMETER	±1/64 FLANGE DIAMETER	+0.000 -0.003 O.D.	±1/64 "B" HUB DIAMETER	"C" HUB PROJECTION	±1/64 "D" LENGTH	"E"	"FW" FACE WIDTH	CATALOG NUMBER
30	.1875 .2500	3	.780	.945	.766	.546	19/64	3/4	5/32	.449	40A2DF-33
32	.1875 .2500		.832	1.000	.818	.598					40A2DF-34
33	.1875 .2500		.858	1.025	.844	.624					40A2DF-35
34	.1875 .2500		.884	1.050	.870	.624					40A2DF-36
35	.1875 .2500		.910	1.080	.896	.650					40A2DF-37
36	.1875 .2500		.936	1.105	.922	.676					40A2DF-38
38	.2500 .3125		.938	1.155	.974	.728	19/64	5/32	.449	40A2DF-39	
40	.2500 .3125		1.040	1.210	1.026	.754				40A2DF-40	
42	.2500 .3125		1.092	1.260	1.078	.806	21/64	25/32	5/32	.465	40A2DF-41
44	.2500 .3125		1.144	1.315	1.130	.858					40A2DF-42
45	.2500 .3125		1.170	1.340	1.156	.884					40A2DF-43
48	.2500 .3125		1.248	1.420	1.234	.933					40A2DF-44
50	.2500 .3125	1.300	1.470	1.286	.988	40A2DF-45					
54	.2500 .3125	1.404	1.575	1.390	1.066	40A2DF-46					
60	.2500 .3125	1.560	1.730	1.546	1.222	40A2DF-47					
						40A2DF-48					
						40A2DF-49					
						40A2DF-50					
						40A2DF-51					
						40A2DF-52					
						40A2DF-53					
						40A2DF-54					
						40A2DF-55					
						40A2DF-56					
						40A2DF-57					
						40A2DF-58					
						40A2DF-59					
						40A2DF-60					
						40A2DF-61					
						40A2DF-62					

TIMING BELT PULLEYS LEXAN® PRECISION

.200" (XL) 1/5" Pitch

Single Flange

3/8 inch Belts

FEATURES:

1. GREATER PRECISION than conventional plastic materials such as Nylon or Acetal.
2. LIGHTWEIGHT as pulley weights are about 1/2 the weight of aluminum
3. LONG BELT LIFE achieved due to low coefficient of friction of plastic
4. NO LUBRICATION REQUIRED
5. POSITIVE SLIP-PROOF ENGAGEMENT of belt and pulley assured with high mechanical efficiency and minimum backlash
6. NON-CORROSIVE and NON-CONDUCTIVE (Electrical)
7. CONFORMS to all SPECIFICATIONS of the Major Timing Belt Manufactures

AVAILABLE ON REQUEST:

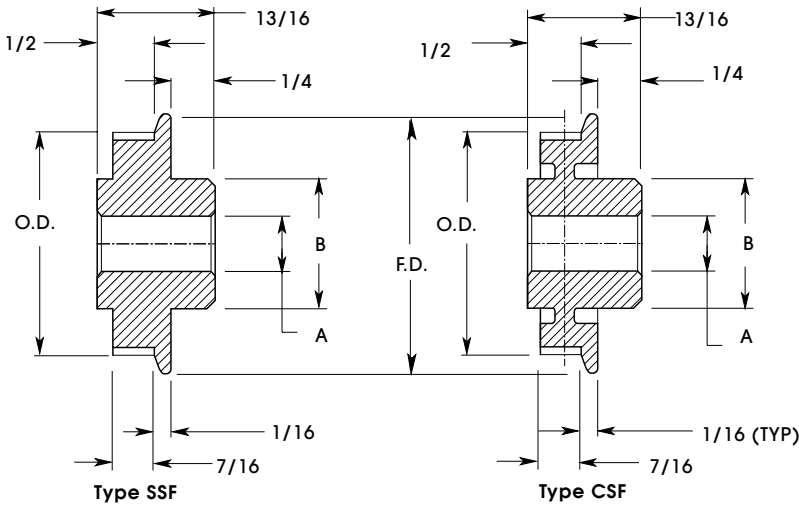
Single or Double Flange Pulleys are available in all sizes.

Send drawings or sketch for quote on any special pulley.

EXAMPLES OF SPECIALS:

- a - Bores: "D" shaped, key slots, square or spline. Metric sizes.
- b - Face widths other than standard.
- c - Hubless or hub diameters other than standard.
- d - Aluminum, brass, or stainless steel inserts thru bore with pulley overmolded.
- e - Tapped holes, set screws, sub-drill or drilled holes.

TOLERANCE CHART			
NUMBER of GROOVES	PULLEY DIAMETER	EXCENTRICITY Bore to OD (TIR)	WOBBLE Perpendicularity (Face to Bore)
10-28	+0.003 -0.001	.004	.004
29-30	+0.004 -0.001	.005	.006



Material:

Polycarbonate LEXAN® with fiberglass reinforcement

NUMBER of GROOVES	TYPE	PITCH DIAMETER	±.01 FLANGE DIAMETER	OUTSIDE DIAMETER	+0.001 -.000 "A" BORE	"B" HUB DIAMETER	CATALOG NUMBER
10	SSF	.637	.87	.617	.187	11/16	200SSF-10
11		.700	.93	.680			200SSF-11
12		.764	.99	.744			200SSF-12
13		.828	1.06	.808			200SSF-13
14		.891	1.12	.871			200SSF-14
15		.9545	1.19	.935			200SSF-15
16		1.019	1.24	.999			200SSF-16
17		1.082	1.31	1.063			200SSF-17
18		1.146	1.38	1.126			200SSF-18
19		1.210	1.44	1.190			200CSF-19
20	CSF	1.273	1.51	1.253	.250	3/4	200CSF-20
21		1.337	1.57	1.317			200CSF-21
22		1.401	1.63	1.381			200CSF-22
23		1.464	1.69	1.445			200CSF-23
24		1.528	1.76	1.508			200CSF-24
25		1.592	1.82	1.572			200CSF-25
26		1.655	1.89	1.636			200CSF-26
27		1.719	1.95	1.700			200CSF-27
28		1.783	2.02	1.763			200CSF-28
29		1.846	2.08	1.827			200CSF-29
30		1.910	2.14	1.890			.312

LEXAN® PRECISION TIMING BELT PULLEYS

.200" (XL) 1/5" Pitch
Single Flange • No Flange
 3/8 inch Belts

FEATURES:

1. GREATER PRECISION than conventional plastic materials such as Nylon or Acetal.
2. LIGHTWEIGHT as pulley weights are about 1/2 the weight of aluminum
3. LONG BELT LIFE achieved due to low coefficient of friction of plastic
4. NO LUBRICATION REQUIRED
5. POSITIVE SLIP-PROOF ENGAGEMENT of belt and pulley assured with high mechanical efficiency and minimum backlash
6. NON-CORROSIVE and NON-CONDUCTIVE (Electrical)
7. CONFORMS to all SPECIFICATIONS of the Major Timing Belt Manufactures

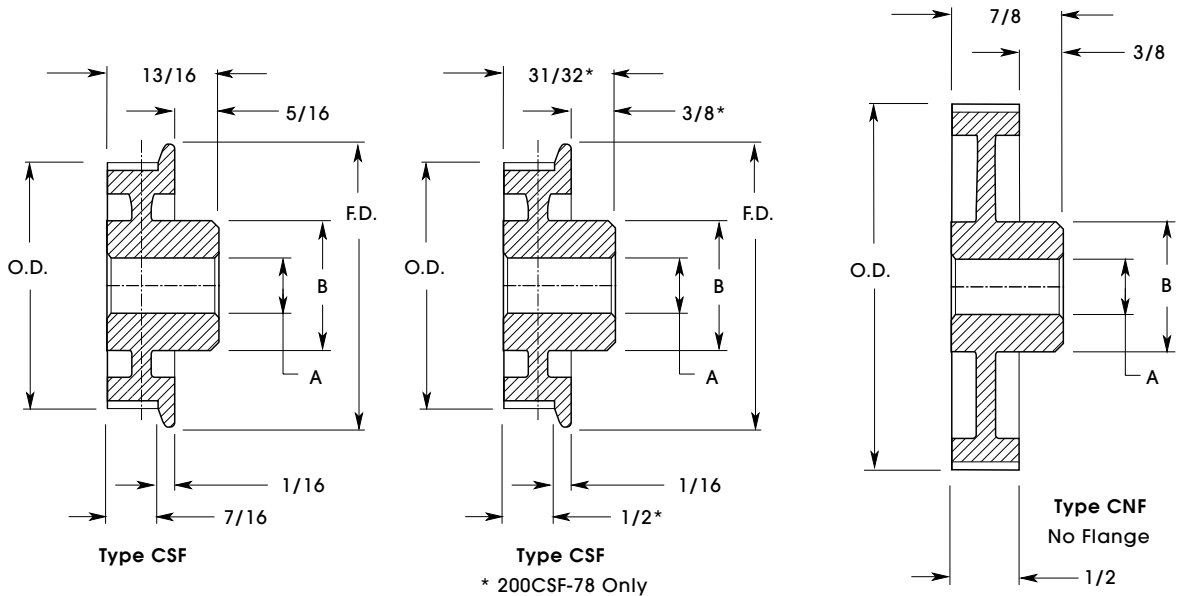
AVAILABLE ON REQUEST:

Single or Double Flange Pulleys are available in all sizes.
 Send drawings or sketch for quote on any special pulley.

EXAMPLES OF SPECIALS:

- a - Bores: "D" shaped, key slots, square or spline. Metric sizes.
- b - Face widths other than standard.
- c - Hubless or hub diameters other than standard.
- d - Aluminum, brass, or stainless steel inserts thru bore with pulley overmolded.
- e - Tapped holes, set screws, sub-drill or drilled holes.

TOLERANCE CHART			
NUMBER of GROOVES	PULLEY DIAMETER	EXCENTRICITY Bore to OD (TIR)	WOBBLE Perpendicularity (Face to Bore)
31-38	+0.004 -0.001	.005	.006
58-78	+0.005 -0.001	.006	.007



NUMBER of GROOVES	TYPE	PITCH DIAMETER	FLANGE DIAMETER ±.01	OUTSIDE DIAMETER	"A" BORE +.001 -.000	"B" HUB DIAMETER	CATALOG NUMBER		
31	CSF	1.973	2.20	1.954	5/16	7/8	200CSF-31		
32		2.037	2.27	2.017			200CSF-32		
34		2.165	2.40	2.145			200CSF-34		
35		2.228	2.46	2.209			200CSF-35		
36		2.292	2.53	2.272			200CSF-36		
37		2.355	2.59	2.336			200CSF-37		
39		2.482	2.71	2.462			200CSF-39		
40		2.546	2.78	2.526			200CSF-40		
42		2.674	2.92	2.654			200CSF-42		
44		2.801	3.04	2.781			200CSF-44		
48		3.056	3.29	3.036			200CSF-48		
58		3.692	3.92	3.672			200CSF-58		
78*		4.966	5.19	4.946			3/8	1	200CSF-78*
60		CNF	3.820	---			3.800	3/8	1
72	CNF	4.584	---	4.564			200CNF-72		

TIMING BELT PULLEYS LEXAN® PRECISION

.200" (XL) 1/5" Pitch

Double Flange

3/8 inch Belts

FEATURES:

1. GREATER PRECISION than conventional plastic materials such as Nylon or Acetal.
2. LIGHTWEIGHT as pulley weights are about 1/2 the weight of aluminum
3. LONG BELT LIFE achieved due to low coefficient of friction of plastic
4. NO LUBRICATION REQUIRED
5. POSITIVE SLIP-PROOF ENGAGEMENT of belt and pulley assured with high mechanical efficiency and minimum backlash
6. NON-CORROSIVE and NON-CONDUCTIVE (Electrical)
7. CONFORMS to all SPECIFICATIONS of the Major Timing Belt Manufactures

AVAILABLE ON REQUEST:

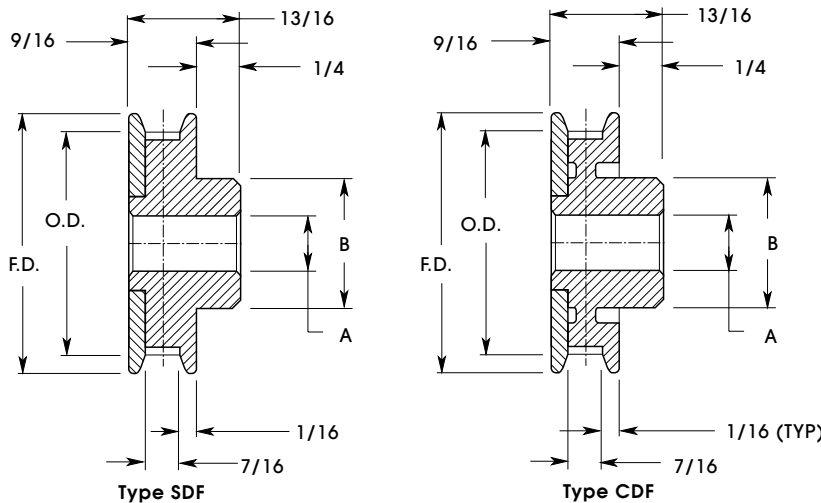
Single or Double Flange Pulleys are available in all sizes.

Send drawings or sketch for quote on any special pulley.

EXAMPLES OF SPECIALS:

- a - Bores: "D" shaped, key slots, square or spline. Metric sizes.
- b - Face widths other than standard.
- c - Hubless or hub diameters other than standard.
- d - Aluminum, brass, or stainless steel inserts thru bore with pulley overmolded.
- e - Tapped holes, set screws, sub-drill or drilled holes.

TOLERANCE CHART			
NUMBER of GROOVES	PULLEY DIAMETER	EXCENTRICITY Bore to OD (TIR)	WOBBLE Perpendicularity (Face to Bore)
10-28	+0.003 -0.001	.004	.004
29-48	+0.004	.005	.006



Material:

Polycarbonate LEXAN® with fiberglass reinforcement

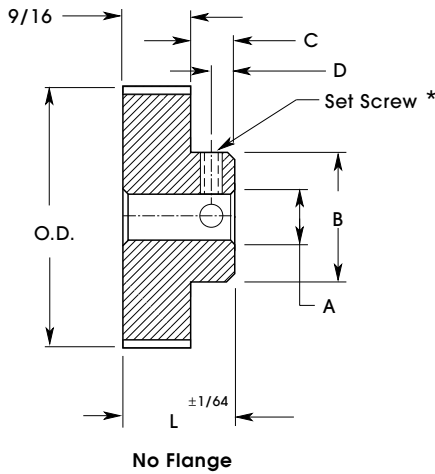
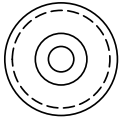
NUMBER of GROOVES	TYPE	PITCH DIAMETER	±.01 FLANGE DIAMETER	OUTSIDE DIAMETER	+0.001 -0.000 "A" BORE	"B" HUB DIAMETER	CATALOG NUMBER			
10	SDF	.637	.87	.617	.187	11/16	200SDF-10			
11		200SDF-11								
12		200SDF-12								
13		200SDF-13								
14		200SDF-14								
15		200SDF-15								
16		200SDF-16								
17		200SDF-17								
18		200SDF-18								
19		CDF	1.210	1.44			1.190	.250	3/4	200CDF-19
20			200CDF-20							
21			200CDF-21							
22			200CDF-22							
23			200CDF-23							
24			200CDF-24							
25			200CDF-25							
26			200CDF-26							
27			200CDF-27							
28	200CDF-28									
29	200CDF-29									
30	CDF		1.910	2.14	1.890	.312	7/8			200CDF-30
31			200CDF-31							
32			200CDF-32							
34			200CDF-34							
35			200CDF-35							
36			200CDF-36							
37			200CDF-37							
39		200CDF-39								
40		200CDF-40								
42		200CDF-42								
44		200CDF-44								
48		200CDF-48								

ALUMINUM TIMING BELT PULLEYS

.200" (XL) 1/5" Pitch

No Flange

3/8 inch Belts



Bore	Set Screw
.1875	#4-40
.2500	#3-32
.3125	#8-32
.3750	#10-32
.5000	#1/4-20

Material:
ALUMINUM 6061-T6
Finish:
CHROMIC ACID ANODIZE

* All Pulleys have 2 Set Screws @ 90°

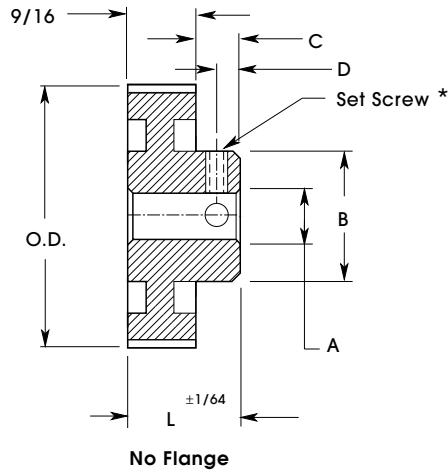
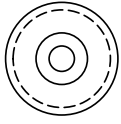
NUMBER of GROOVES	+0.001 -0.000 "A" BORE	TYPE	PITCH DIAMETER	O.D.	±1/64 "B" HUB DIAMETER	"C" HUB PROJECTION	±1/64 "L" LENGTH	"D"	TOLERANCE O.D.	CATALOG NUMBER				
10	.1875 .2500	1	.637	.617	7/16	1/4	13/16	1/8	+0.002 -0.000	20ANF-1				
11	.1875 .2500		.700	.680	1/2					20ANF-2				
12	.1875 .2500		.764	.744						20ANF-3				
14	.2500 .3125		.891	.871						20ANF-4				
15	.2500 .3125 .3750		.955	.925	3/4					5/16	7/8	5/32	+0.003 -0.000	20ANF-5
16	.2500 .3125		1.019	.999										20ANF-6
17	.2500		1.082	1.062										20ANF-7
18	.2500 .3125 .3750		1.146	1.126										20ANF-8
19	.2500		1.210	1.190										20ANF-9
20	.2500 .3125 .3750		1.273	1.253										20ANF-10
21	.2500 .3125		1.337	1.317		20ANF-11								
22	.2500 .3125 .3750		1.401	1.381		20ANF-12								
23	.2500		1.464	1.444		20ANF-13								
24	.2500 .3125 .3750		1.528	1.508		20ANF-14								
25	.2500 .3750		1.592	1.572	20ANF-15									
27	.3125		1.719	1.699	20ANF-16									
28	.2500 .3125 .3750		1.783	1.763	20ANF-17									
29	.3125		1.846	1.826	20ANF-18									
30	.2500 .3125 .3750		1.910	1.890	20ANF-19									
						1	3/8	15/16	3/16		20ANF-20			
											20ANF-21			
											20ANF-22			
											20ANF-23			
											20ANF-24			
											20ANF-25			
											20ANF-26			
											20ANF-27			
											20ANF-28			
											20ANF-29			
											20ANF-30			
										20ANF-31				
										20ANF-32				
										20ANF-33				
										20ANF-34				
										20ANF-35				
										20ANF-36				
										20ANF-37				
										20ANF-38				
										20ANF-39				
										20ANF-40				

TIMING BELT PULLEYS ALUMINUM

.200" (XL) 1/5" Pitch

No Flange

3/8 inch Belts



Material:
ALUMINUM A356-T6
Finish:
CHROMIC ACID ANODIZE

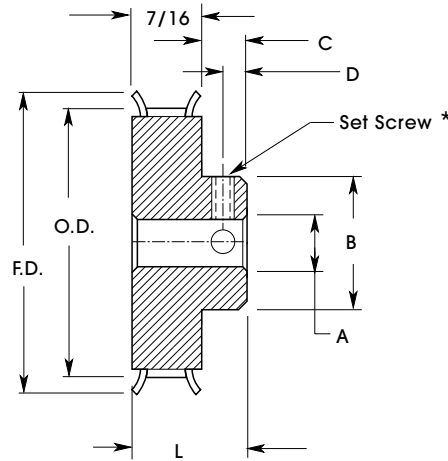
Bore	Set Screw
.2500	#3-32
.3125	#8-32
.3750	#10-32
.5000	#1/4-20

* All Pulleys have 2 Set Screws @ 90°

NUMBER of GROOVES	+001 -000 "A" BORE	TYPE	PITCH DIAMETER	O.D.	±1/64 "B" HUB DIAMETER	"C" HUB PROJECTION	±1/64 "L" LENGTH	"D"	TOLERANCE O.D.	CATALOG NUMBER						
32	.3750 .5000	1	2.037	2.017	1-1/2	7/16	1	7/32	+004 -000	20ANF-41						
36	.3750 .5000		2.292	2.272						20ANF-42						
40	.3750 .5000		2.546	2.526						20ANF-43						
42	.3750 .5000		2.674	2.654						20ANF-44						
44	.3750 .5000		2.801	2.781						20ANF-45						
45	.3125 .3750 .5000		2.865	2.845						20ANF-46						
48	.3125 .3750 .5000		3.056	3.036						20ANF-47						
50	.3125 .3750 .5000		3.183	3.163						20ANF-48						
60	.3750 .5000		3.820	3.800						20ANF-49						
72	.5000		4.584	4.564						20ANF-50						
																20ANF-51
																20ANF-52
										20ANF-53						
										20ANF-54						
										20ANF-55						
										20ANF-56						
										20ANF-57						
										20ANF-58						
										20ANF-59						
										20ANF-60						
										20ANF-61						
										20ANF-62						

ALUMINUM TIMING BELT PULLEYS

.200" (XL) 1/5" Pitch
Double Flange
1/4 inch Belts



Bore	Set Screw
.1875	#4-40
.2500	#3-32
.3125	#8-32
.3750	#10-32

Material:
ALUMINUM 6061-T6
Finish:
CHROMIC ACID ANODIZE

No Flange

* All Pulleys have 2 Set Screws @ 90°

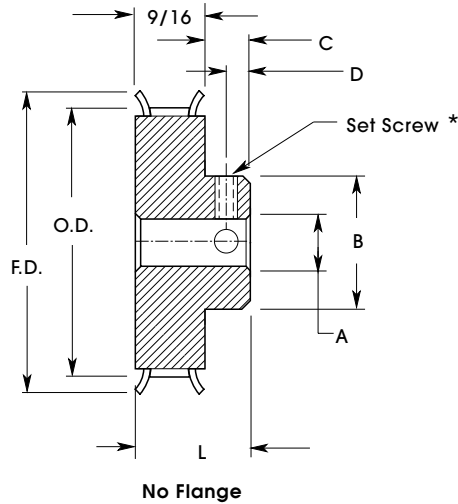
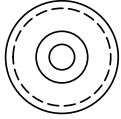
NUMBER of GROOVES	+001 -000 "A" BORE	PITCH DIAMETER	±1/64 F.D.	O.D.	±1/64 "B" HUB DIAMETER	"C" HUB PROJECTION	±1/64 "L" LENGTH	"D"	TOLERANCE O.D.	CATALOG NUMBER			
10	.1875	.637	7/8	.617	7/16	1/4	11/16	1/8	+002 -000	20A2DF-1			
11	.1875 .2500	.700	15/16	.680	1/2					20A2DF-2			
12	.1875 .2500	.764	1	.744						20A2DF-3			
13	.2500	.828	1-1/16	.808						20A2DF-4			
14	.2500 .3125	.891	1-3/32	.871						20A2DF-5			
15	.2500 .3125	.955	1-3/16	.935	3/4					20A2DF-6			
16	.2500 .3125	1.019	1-1/4	.999						20A2DF-7			
18	.2500 .3125	1.146	1-3/8	1.126						20A2DF-8			
20	.2500 .3125	1.273	1-1/2	1.253						20A2DF-9			
21	.2500 .3125	1.337	1-9/16	1.317	1					5/16	3/4	5/32	20A2DF-10
22	.2500 .3750	1.401	1-5/8	1.381		20A2DF-11							
24	.2500 .3125 .3750	1.528	1-3/4	1.508		1-1/16	11/32	25/32	11/64				20A2DF-12
26	.2500 .3750	1.655	1-7/8	1.635		1-3/16							20A2DF-13
28	.2500 .3750	1.783	2	1.763	20A2DF-14								
30	.2500 .3750	1.910	2-1/8	1.890	1-5/16	20A2DF-15							
						20A2DF-16							
						20A2DF-17							
						20A2DF-18							
						20A2DF-19							
						20A2DF-20							
						20A2DF-21							
						20A2DF-22							
						20A2DF-23							
						20A2DF-24							
						20A2DF-25							
						20A2DF-26							
						20A2DF-27							
						20A2DF-28							
						20A2DF-29							

TIMING BELT PULLEYS ALUMINUM

.200" (XL) 1/5" Pitch

No Flange

3/8 inch Belts



Bore	Set Screw
.1875	#4-40
.2500	#3-32
.3125	#8-32
.3750	#10-32
.5000	#1/4-20

Material:
ALUMINUM 6061-T6
Finish:
CHROMIC ACID ANODIZE

* All Pulleys have 2 Set Screws @ 90°

NUMBER of GROOVES	+0.001 -0.000 "A" BORE	PITCH DIAMETER	±1/64 F.D.	O.D.	±1/64 "B" HUB DIAMETER	"C" HUB PROJECTION	±1/64 "L" LENGTH	"D"	TOLERANCE O.D.	CATALOG NUMBER							
10	.1875 .2500	.637	7/8	.617	7/16	1/4	13/16	1/8	+0.002 -0.000	20ADF-1							
11	.1875 .2500	.700	15/16	.680	1/2					20ADF-2	20ADF-3	20ADF-4	20ADF-5				
12	.1875 .2500 .3125	.764	1	.744									20ADF-6	20ADF-7	20ADF-8		
13	.2500	.828	1-1/16	.808											20ADF-9	20ADF-10	20ADF-11
14	.2500 .3125	.891	1-3/32	.871													3/4
15	.2500 .3125 .3750 .5000	.955	1-3/16	.935	20ADF-15	20ADF-16	20ADF-17	20ADF-18									
16	.2500 .3125 .3750	1.019	1-1/4	.999				1	7/8	5/32	+0.003 -0.000	20ADF-19					
18	.2500 .3125 .3750	1.146	1-3/8	1.126	5/16	20ADF-20	20ADF-21										
20	.2500 .3125 .3750 .5000	1.273	1-1/2	1.253			7/8					20ADF-22	20ADF-23	20ADF-24			
21	.2500 .3125 .3750	1.337	1-9/16	1.317	5/16	20ADF-25		20ADF-26	20ADF-27								
22	.2500 .3125 .3750	1.401	1-5/8	1.381					11/32	29/32	11/64			20ADF-28			
24	.2500 .3125 .3750 .5000	1.528	1-3/4	1.508	1-1/4	20ADF-29	20ADF-30	20ADF-31									
25	.2500 .3750	1.592	1-13/16	1.572				1-1/4				20ADF-32	20ADF-33	20ADF-34			
26	.2500 .3750	1.655	1-7/8	1.635	1-1/2	20ADF-35	20ADF-36		20ADF-37								
28	.2500 .3125 .3750	1.783	2	1.763				1-1/4	20ADF-38	20ADF-39	20ADF-40						
30	.2500 .3125 .3750 .5000	1.910	2-1/8	1.890							1-1/2	20ADF-41	20ADF-42	20ADF-43			
32	.3750	2.037	2-1/4	2.017	1-1/2	20ADF-44	20ADF-45	+0.004 -0.000	20ADF-46								